

DR-30-12

24W/1.5A DIN-Rail 24VDC Industrial Power Supply



Features

- -20°C to 60°C operating temperature range
- Can be installed on DIN-rail TS-35 / 7.5 or 15
- Protections: Short circuit / Over load / Over voltage
- Isolation class II
- UL60950-1, TUV EN60950-1 approved

Hardware Specifications

Power

Power Input

- Voltage Range: 85 to 264VAC; 120 to 370VDC
- Frequency Range: 47 to 63Hz
- Efficiency: 81%
- AC Current (Typ.): 0.88A / 115VAC; 0.48A / 230VAC
- Inrush Current (Typ.): Cold Start 15A / 115VAC; 30A / 230VAC

Power Output

- DC Voltage: 12V
- Rated Current: 2A
- Current Range: 0 to 2A
- Rated Power: 24W
- Ripple & Noise (max.): 120mVp-p
- Voltage Adj. Range: 10.8 to 13.2V
- Voltage Tolerance: + / - 1.0%
- Line Regulation: + / - 1.0%
- Load Regulation: + / - 1.0%
- Setup, Rise Time: 100ms, 30ms / 230VAC; 100ms, 30ms / 115VAC at full load
- Hold up Time: 100ms / 230VAC; 21ms / 115VAC at full load

Mechanical

Casing

- Plastic case

Dimensions

- 78mm (W) x 56mm (D) x 93 mm(H)
(3.12" (W) x 2.24" (D) x 3.72" (H))

Weight

- 0.27kg (0.59 lb)

Installation

- DIN-Rail

Protection

Over Voltage Protection

- 13.8 to 16.2V
- Protection type: Shut down o/p voltage, re-power on to recover

Over Load Protection

- 105 to 160% rated output power
- Protection type : Constant current limiting, recovers automatically after fault condition is removed

Environment

Operating Temperature

- -20°C to 60°C (Refer to output load derating curve)

Storage Temperature

- -40°C to 85°C (-4°F to 158°F)

Working Humidity

- 20% to 90%RH non-condensing

Storage Humidity

- 10% to 95%RH

Regulatory Approvals

Safety

UL EN60950-1

TUV EN60950-1, design refer to EN50178

EMC

EN55011

EN55022 (CISPR22) Class B

EN61000-3-2, -3

- Withstand Voltage:
 - I/P-O/P: 3KVAC
- Isolation Resistance:
 - I/P-O/P: 100M Ohms / 500VDC

EMS

EN61000-4-2,3,4,5,6,8,11

ENV50204

EN55024

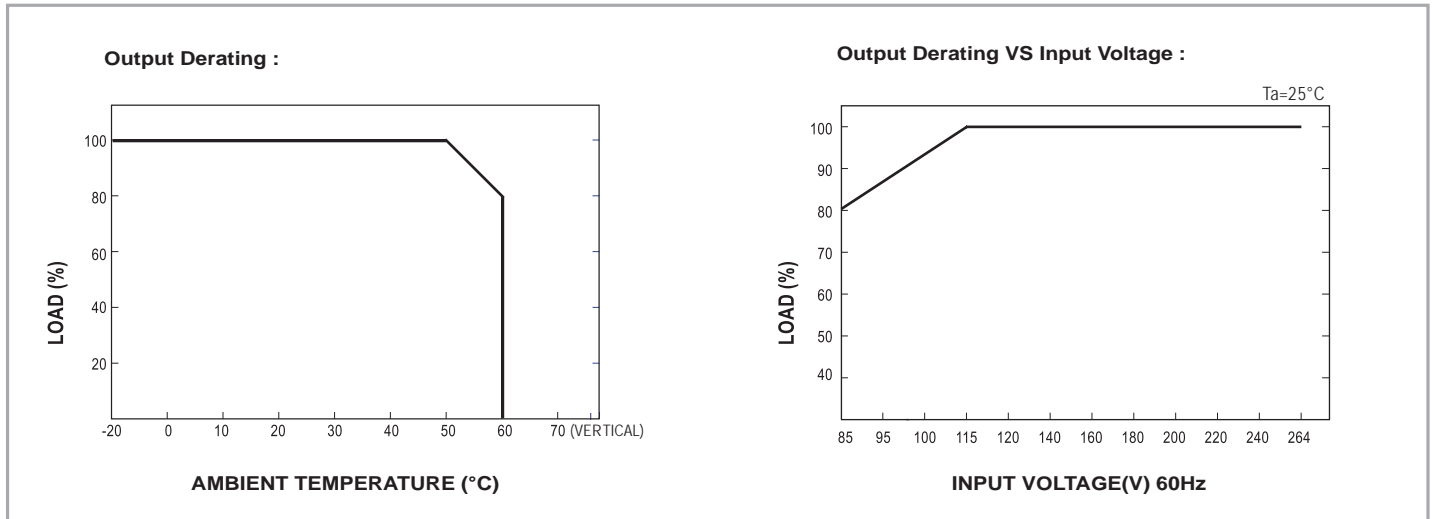
EN61000-6-2

EN61204-3 Heavy industry level, criteria A

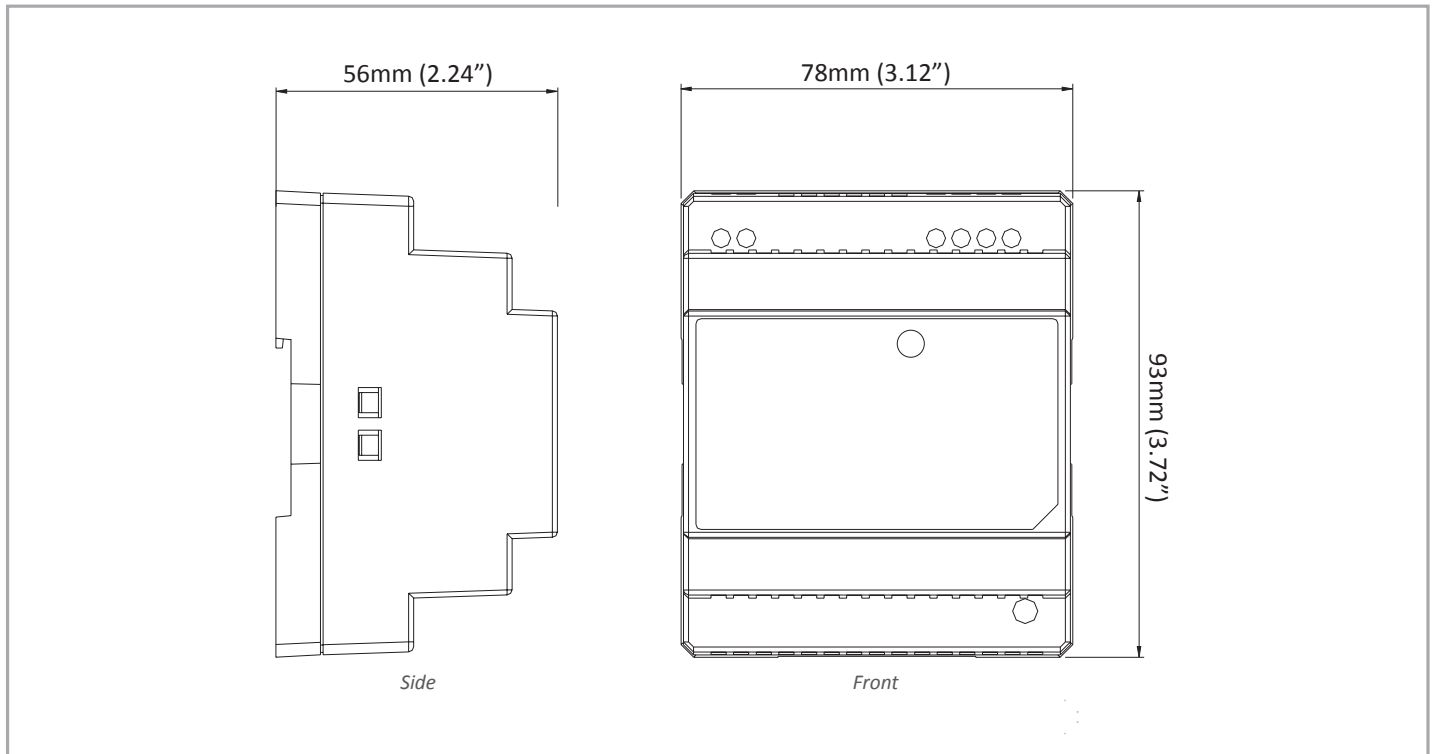
Environmental Test Compliance

- Vibration
 - 10 to 500Hz, 2G 10min. / 1 cycle, period for 60 min. each along X, Y, Z axes

Derating Curves



Dimensions



Ordering Information

Model

DR-30-12

24W/2A DIN-Rail 12VDC Industrial Power Supply