

DD-85-48

85W/1.78A 48VDC Industrial Power Supply



Features

- Wide input voltage range from 12VDC to 36 VDC
- -10°C to 60°C operating temperature range
- Over-voltage / over-current / reverse input protection

Hardware Specifications

Power

Output

- DC Voltage: 48VDC
- Current Range: 0 to 1.78A
- Rated Power: 85W

Input

- Voltage Range: 12-36VDC
- Inrush Current: 13A max./12VDC or 50A/36VDC

Protection

- Over Voltage Protection: 56V
- Over-current protection: 110% to 180% of rated value

Mechanical

Casing

- Aluminum case

Dimensions

- 50mm (W) x 148mm (D) x 165mm(H)
(1.96" (W) x 5.82" (D) x 6.49" (H))

Weight

- 1.2kg (2.64 lb)

Installation

- DIN-Rail and Panel mounting (both mounting kits are included)

Environment

Operating Temperature

- -10°C to 60°C (Refer to output load derating curve)

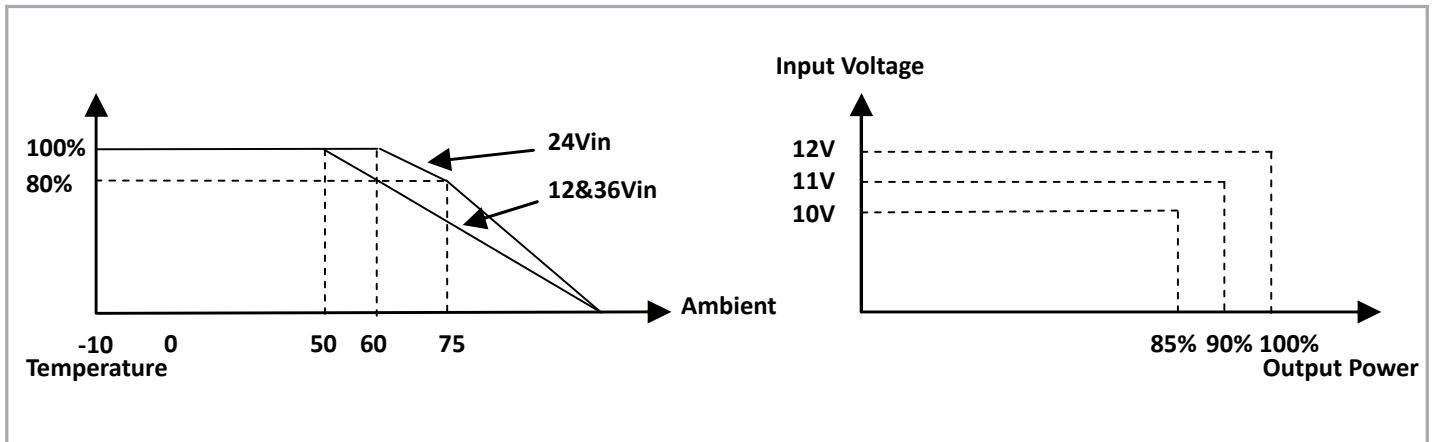
Storage Temperature

- -20°C to 85°C (-4°F to 158°F)

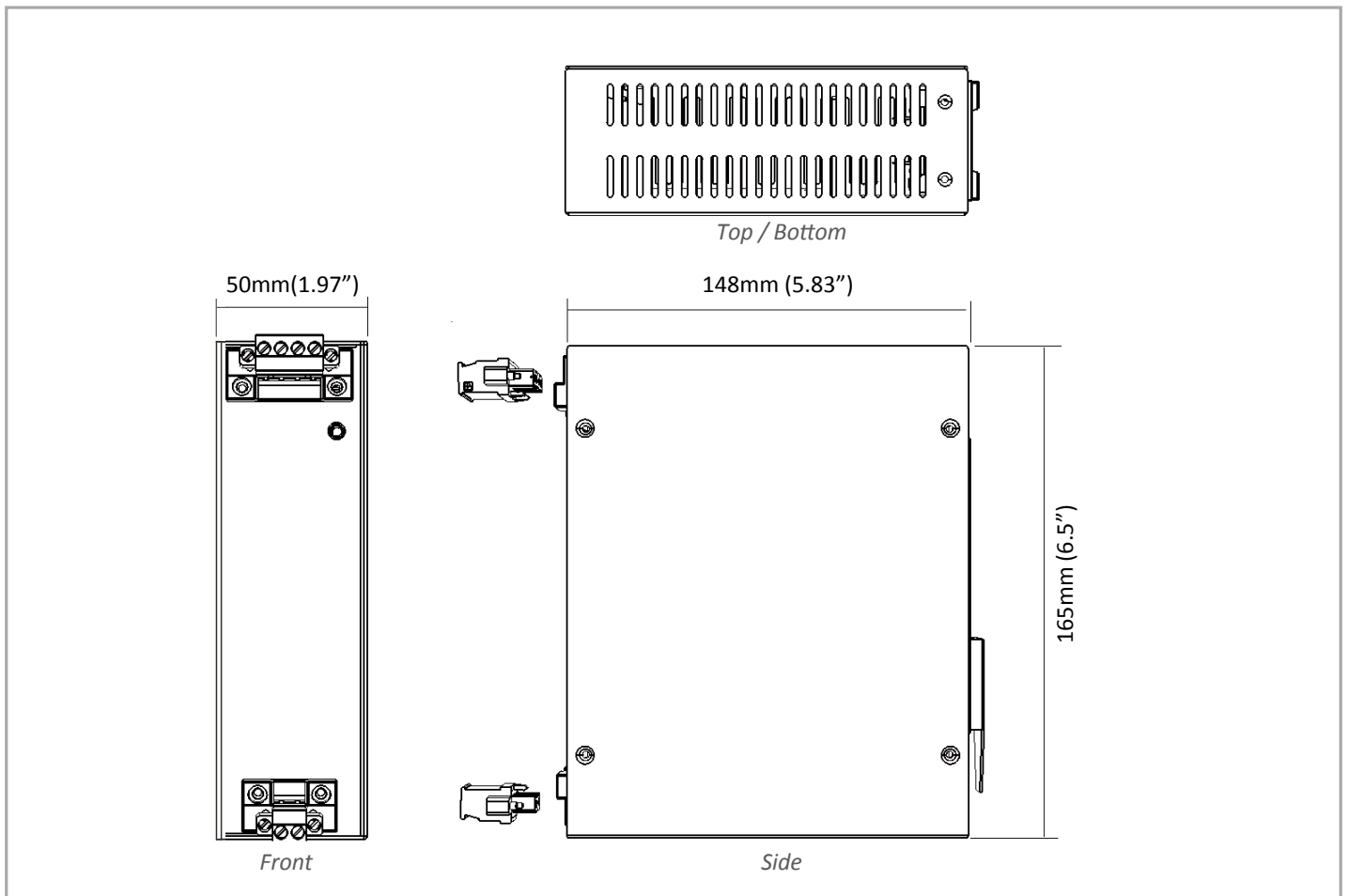
Working Humidity

- 0% to 95% RH

Derating Curves



Dimensions



Ordering Information

Model

| | |
|----------|---|
| DD-85-48 | 85W/1.78A 48VDC Industrial Power Supply |
|----------|---|