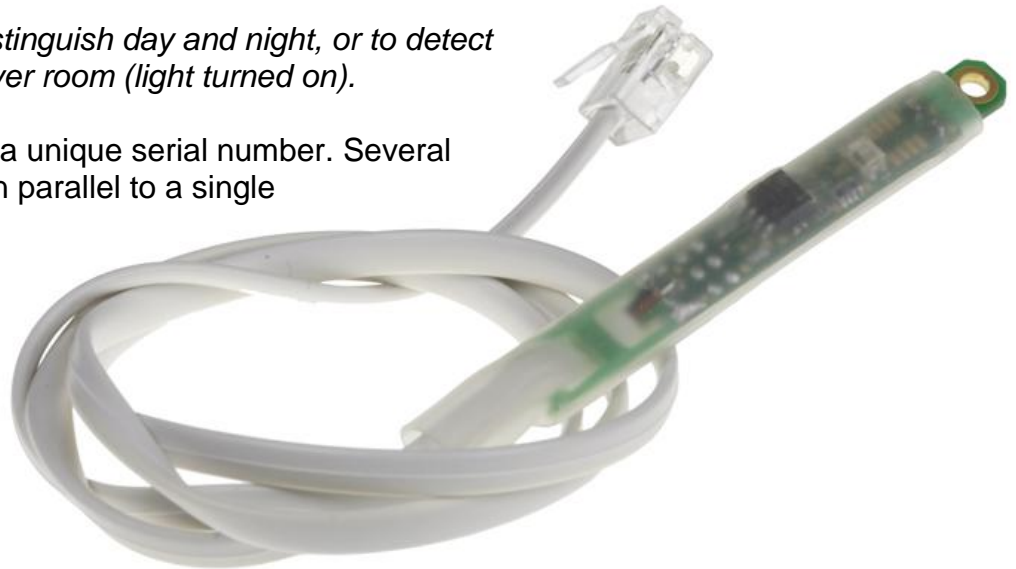


Light 1Wire-UNI sensor

Simple light intensity sensor for indoor use. The sensor is designed for use with Poseidon, Ares and other HW group products. The sensor connects to the 1-Wire UNI interface.

A typical application is to distinguish day and night, or to detect presence of people in a server room (light turned on).

Each sensor is identified by a unique serial number. Several sensors can be connected in parallel to a single RJ11 sensor port.



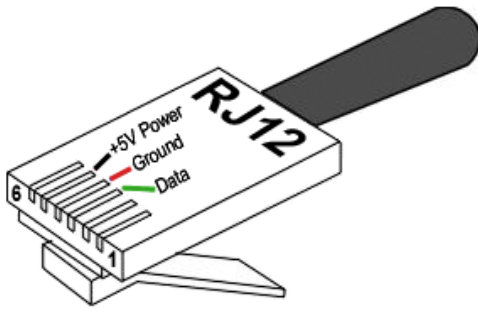
Technical parameters

- Output **0 – 100%**
- Communication 1-Wire bus (Data, GND, +5V) – RJ11
- Operating conditions -40°C to +85°C (-40°F to +185°F)
- Probe dimension & cable 78 x 9.5 x 6 mm, cable 3m
- Mounting hole drill Ø3mm

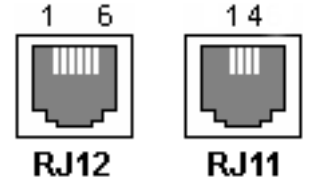
Similar sensors

Sensor Light 1W-UNI 3m	<i>Light indoor sensor, 3m cable RJ11 connector.</i>
HTemp-1Wire 3m	<i>Temperature & Humidity sensor, 3m cable RJ11 connector.</i>
Sensor 60V 1W-UNI v2	<i>0 to 60V DC voltage sensor for 1-Wire UNI. 2x RJ12 female (can be daisy-chained).</i>
Sensor 20mA 1W-UNI	<i>0 to 20mA DC current sensor for 1-Wire UNI. 2x RJ12 female (can be daisy-chained).</i>
Sensor WLD Relay	<i>Water Leak Detection sensor 2+2m with Relay and 1-Wire UNI outputs. Ready to use package with 12V power adaptor, 2m of WLD sensing cable included. Can be used for 2D surface liquids detection.</i>

Connectors

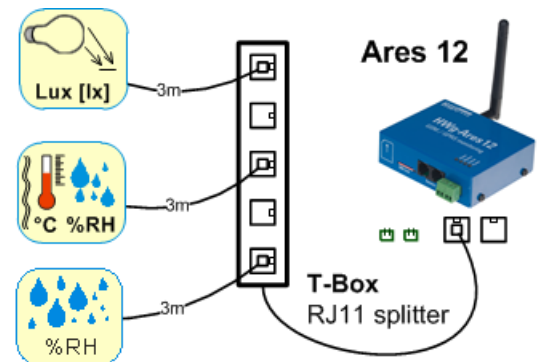


RJ12	RJ11			
3	2	Data	<->	Data 1-Wire
4	3	GND	---	System Ground
5	4	+5V	---	Power supply



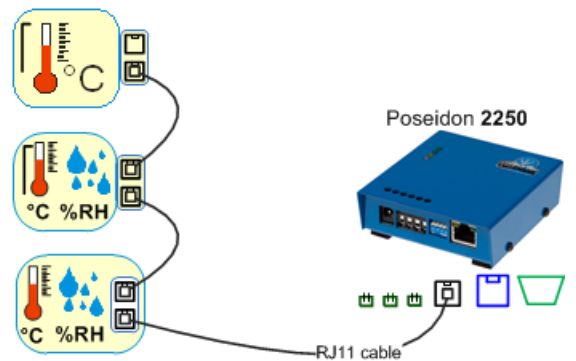
Sensor wiring examples

Star topology – 60m in total:



Daisy-chained – 60m in total:

There are two RJ11 connectors on some sensors.



4x active port, 4x60m:

