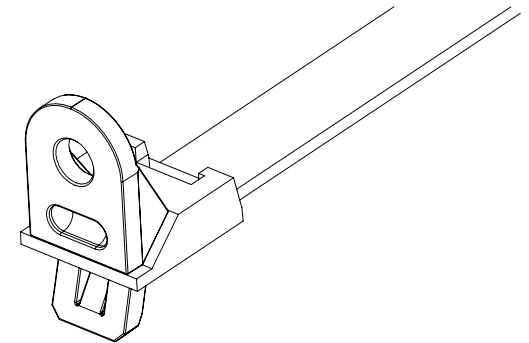
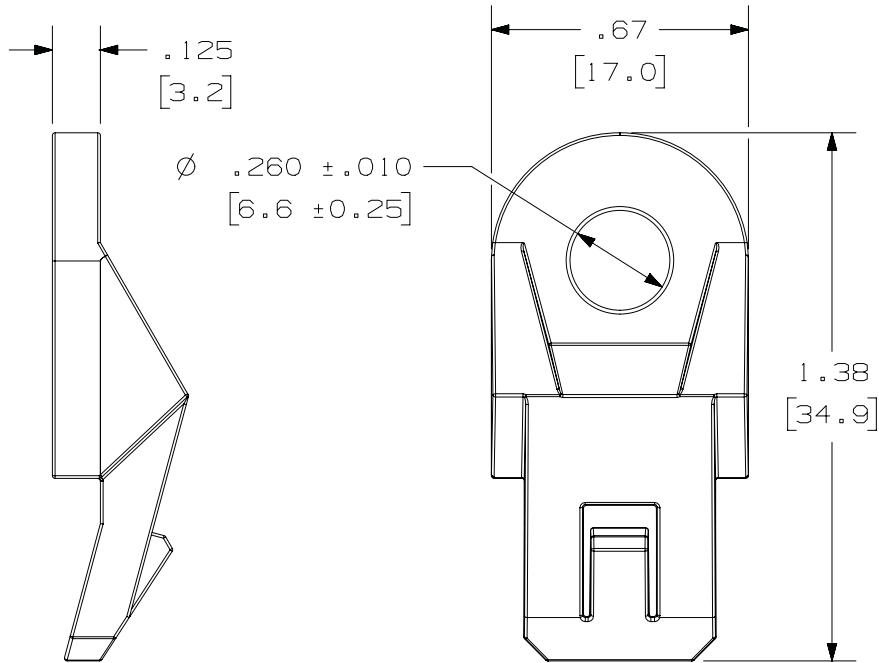
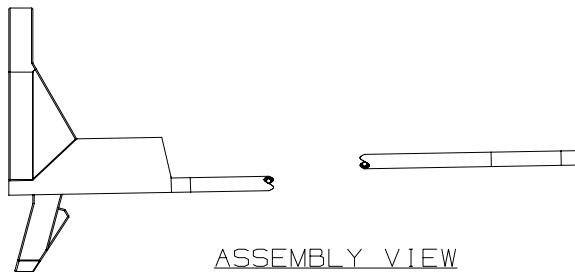


THIS COPY IS PROVIDED ON A RESTRICTED BASIS AND IS NOT TO BE USED IN ANY WAY DETRIMENTAL TO THE INTERESTS OF PANDUIT CORP.



- NOTES:
1. SEE CURRENT PRICE SHEET FOR PART NUMBER SUFFIX DESIGNATION FOR PACKAGE SIZE.
 2. MATERIAL: NYLON 6/6
COLOR: BLACK



PANDUIT PART NUMBER	FOR USE WITH THE FOLLOWING CABLE TIE CROSS SECTIONS	RECOMMEND FASTENER	WEIGHT LBS 100 (G) PCS.
MCEH-S25	PLT2EH, 5EH, 6EH 8EH, 10EH, 12EH PRT2EH, 5EH, 6EH 8EH, 10EH, 12EH	1/4" (M6)	0.52 [235.9]

PART NUMBER		MCEH-S25-C0	
TITLE		MOUNTING CLIP, MCEH-S25	
ITEM REVISION NAME		CUSTOMER DRAWING	
DATASET FILE NAME		G03597GX/02	
MATERIAL		SEE NOTE 2	
DRAWING NUMBER		GB0239KC	
THIRD ANGLE PROJECTION			
DRAWN BY		JAD	
DATE		4/16/03	
CHK		JHAC	
SCALE		NONE	
SHEET 1 OF 1		A	

REV	DATE	BY	CHK	APR	DESCRIPTION	ECN
01	3/4/2020	RVU	RMHI	JHAC	REBUILD MODEL AND RECREATE CUSTOMER DWG.	GAECN05592
R	4/16/03	JAD			INITIAL RELEASE TO REPLACE SS-6417.	GB0239KC

2

1

A-SIZE CUSTOMER

B

B

A

A