

Quick Start Guide P-AVN-CL-100 USB-C CHARGE LINK

Introduction

The PlexusAV P-AVN-CL-100 is a compact, durable 1/3-RU device designed to simplify system connectivity across the PlexusAV ecosystem. This guide will help you unbox, connect, and power up your unit in just a few minutes.

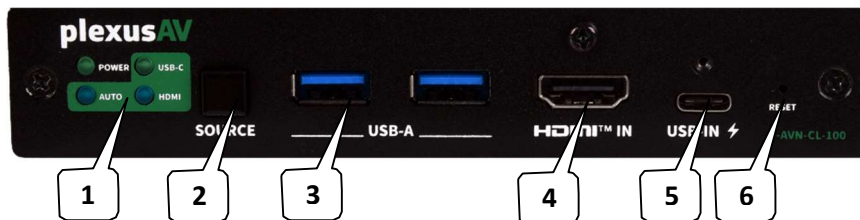
What's in the Box?

- P-AVN-CL-100 USB-C Charge Link Connectivity Hub
- Universal power supply (100–240V, 5–60Hz, 1.9A)
- Locking USB-C power cable
- Quick Start documentation (this guide)

Check that there are no signs of damage to equipment due to transport. If the equipment appears to be damaged, email procure@plexusav.com for support.

Front Panel Overview

The front panel of the CL-100 offers an HDMI and USB-C video input, with a source selection button, and USB-A peripheral connections. LED status lights also offer activity and diagnostics information.

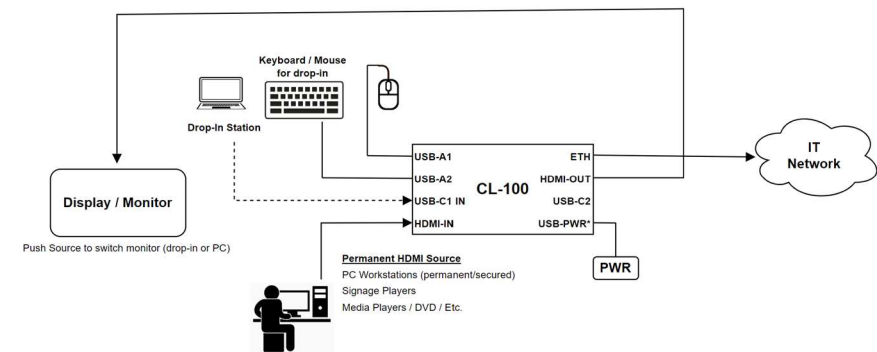


1. **STATUS LED:** will show solid light when input is locked and selected
2. **SOURCE:** push and release to select USB-C, HDMI, or AUTO source
3. **USB-A:** will connect via internal USB hub to PC wired to USB-IN
4. **HDMI IN:** audio/video input up to 4K60 4:4:4
5. **USB-C IN:** audio/video input up to 4K60 4:4:4 + USB Hub / KVM connection
6. **RESET:** recessed factory reset button (hold 10 sec and release to default device)

The P-AVN-CL-100 supports USB-C video, data, and up to 100W Power Delivery, allowing a single-cable connection for modern laptops and devices..

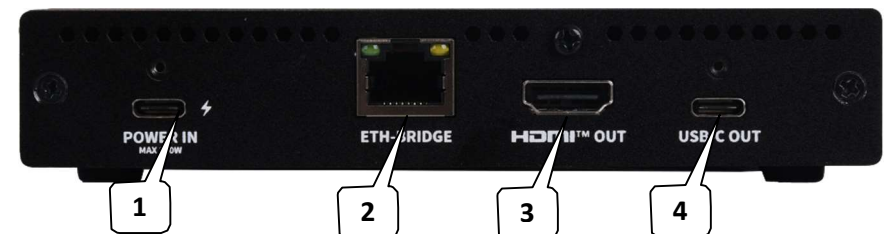
Figure 1: P-AVN-CL-100 USB hub / video switcher

This diagram shows typical wiring when using the CL-100 as a video switcher and stand-alone USB-C hub/charging station.



Rear Panel Overview

On the rear panel, the P-AVN-CL-100 provides a locking USB-C power connector, an ETH-BRIDGE RJ45 network port for IT/switch connectivity, and a full-sized HDMI output and universal power supply (100–240V, 5–60Hz, 1.9A)



1. **POWER:** The included power supply has a USB-C end with locking connector
2. **ETH-BRIDGE:** Network/internet pass through to front panel USB-C port / PC
3. **HDMI OUT:** Will output a copy of the selected input (HDMI or USB-C source)
4. **USB-C OUT:** Will output a copy of the selected input (HDMI or USB-C source)

HDMI and USB-C will output the same video signal/selected source.

USB-C output also passes KVM/Webcam data from remote AVN to wired PC on front panel (i.e. P-AVN "USB-over-IP" connection).



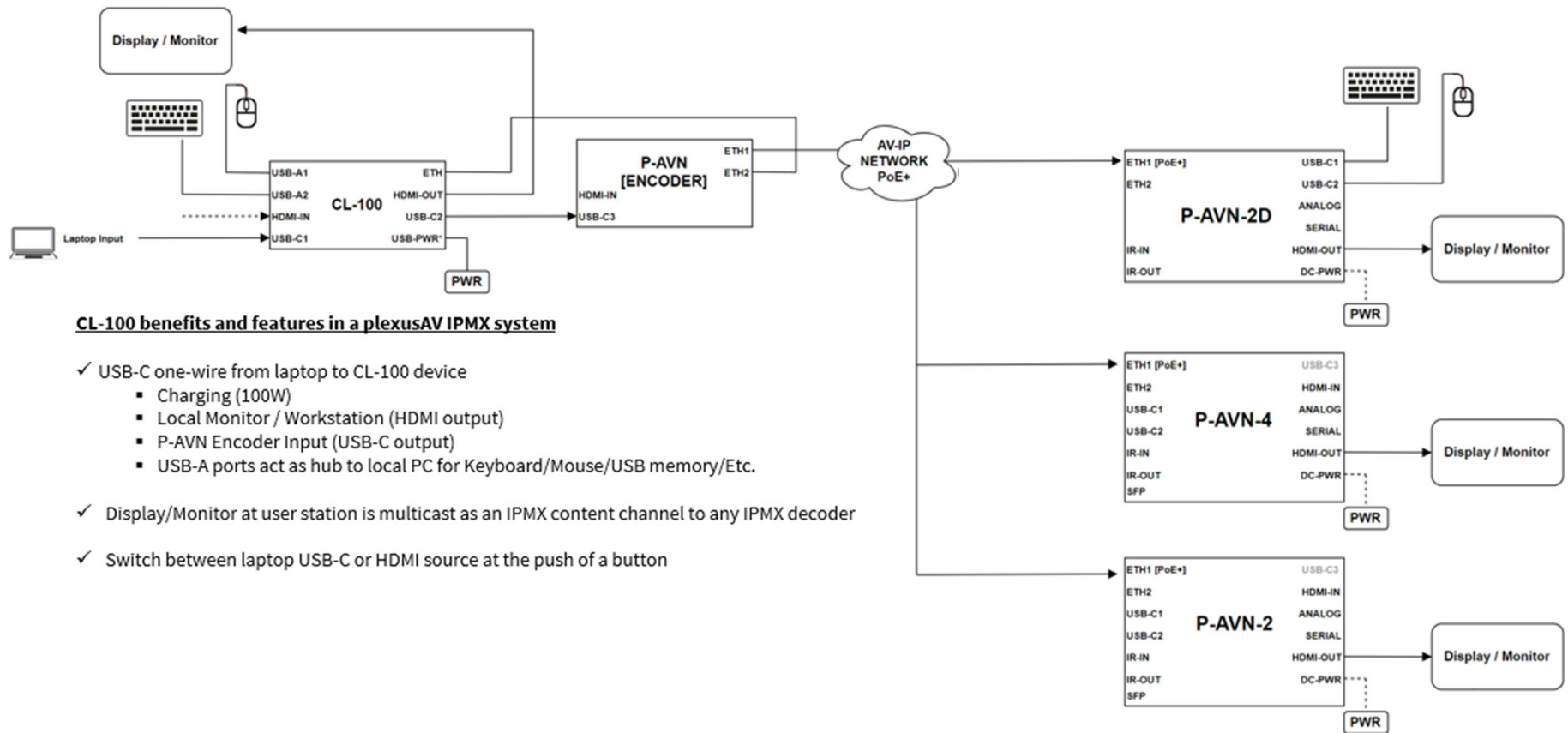
SE



NO

Quick Start Guide P-AVN-CL-100 USB-C CHARGE LINK

Figure 2: P-AVN-CL-100 inside plexusAV IPMX Solution



CL-100 benefits and features in a plexusAV IPMX system

- ✓ USB-C one-wire from laptop to CL-100 device
 - Charging (100W)
 - Local Monitor / Workstation (HDMI output)
 - P-AVN Encoder Input (USB-C output)
 - USB-A ports act as hub to local PC for Keyboard/Mouse/USB memory/Etc.
- ✓ Display/Monitor at user station is multicast as an IPMX content channel to any IPMX decoder
- ✓ Switch between laptop USB-C or HDMI source at the push of a button