

30M HDMI Extender over 60GHz WIRELESS

Support 4K@30Hz YUV 4:4:4 8Bit

/// OPERATION MANUAL



Dear Customer

Thank you for purchasing this product. For optimum performance and safety, please read these instructions carefully before connecting, operating or adjusting this product. Please keep this manual for future reference.

Notice

The information in this document is subject to change without notice. Every effort has been made in the preparation of this document to ensure accuracy of the contents, but all statements, information, and recommendations in this document do not constitute the warranty of any kind, express or implied.

1. Features

- 60Ghz wireless extender
- Support the highest Resolution up to 4K@30Hz YUV 4:4:4 8bit
- Support the longest transmission distance to 10M wireless under 4K30HZ, 30m under 1080P@60Hz with certain conditions, like open space/horizontal height of equipment, etc
- Support HDCP1.4,compatible with HDCP2.2 Blu-Ray player, follow the output HDCP. But there will be no image if the sink is decrypted.
- Support 100-230V voltage input, DC5V power supply
- Support Many to one(7 TX max to 1 RX), One to many(1 TX to 2 RX max)
- Reset and pairing button for both TX and RX
- No Latency

2. SPECIFICATIONS

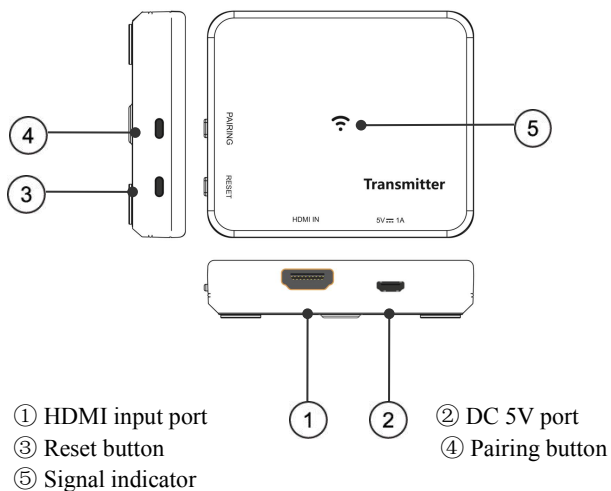
Operating Temperature Range	0 to +40°C(+32 to +104°F)
Operating Humidity Range	10 to 90%RH (No Condensation)
Connectors on Transmitter	HDMI Receptacle x 1 Power USB x 1
Connectors on Receiver	HDMI Receptacle x 1 Power USB x 1
HDMI input/output port	HDMI Type A 19-pin
HDMI Version	HDMI1.4/HDCP1.4
Resolution outputs	4k@30hz/1080p/720p/480p
Frequency	60GHz
Frequency width	100MHz
RF power	10dBm MAX
Antenna	Matrix style Antenna
Audio format supported	PCM 2.0,Dolby True HD,DTS-HD master audio
Latency	< 3ms
Power supply	DC 5V 1A Power supply
Power consumption	3.5W(MAX)
Transmission Distance	10m under 4K@30Hz, 30m under 1080P@60Hz
Dimension (L×W×H)	TX: L80xW68xH16.5mm; RX: L80xW68xH16.5mm
Net Weight	TX: 55g; RX:55g

3. Package Contents

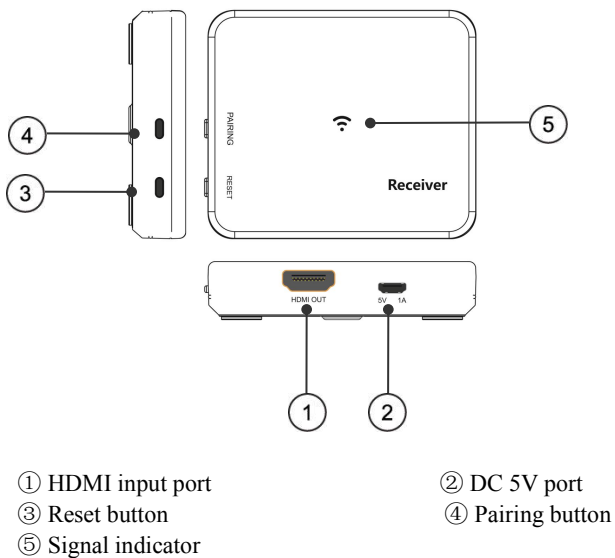
- 1xHDMI Transmitter
- 1xHDMI Receiver
- 2xUSB Cable
- 2x5V DC Adapter
- 2xAdjustable bracket
- 1xUser Manual

4. PANEL DESCRIPTIONS

Transmitter Panel



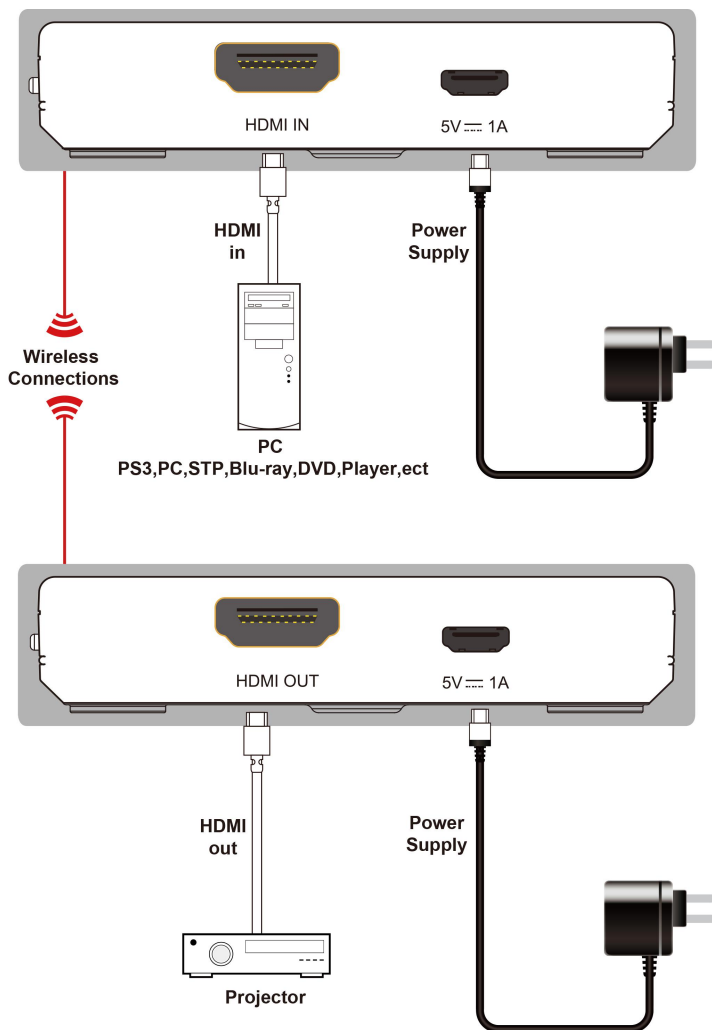
Receiver Panel



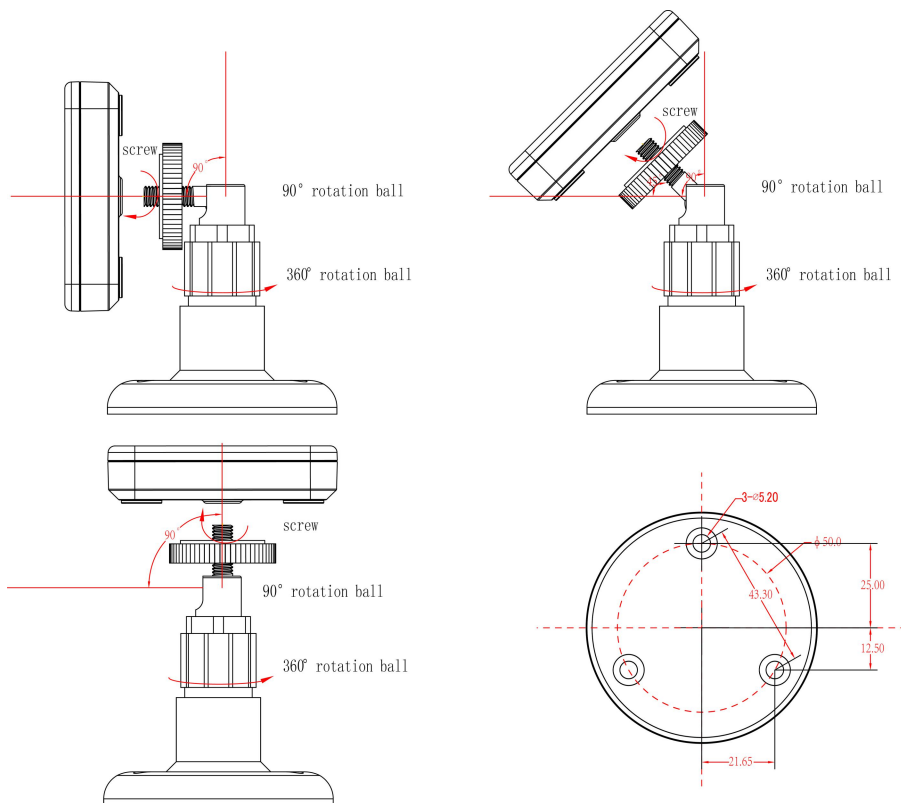
5. Connecting and operating

1. Connect 1 source such as a Blu-Ray Player, game console, STB, etc. to the HDMI input on the transmitter
2. Connect 1 display such as an HDTV or HD Projector to the HDMI output on the receiver .
3. Power on the transmitter and receiver, pairing TX and RX first, then start working.

Connection Diagram



6. Installation instructions



- 1.Screw up the adjustable bracket to TX and RX back side hole.
- 2.Adjust the TX and RX position within 0°-90°by rotating the 90° rotation ball.
- 3.Loosen 360° rotation ball, then able to adjust TX and RX position within 0°-360°
- 4.TX and RX can be fixed on the wall with 3 mounting holes on the bottom of the adjustable bracket

Remark: Adjust TX and RX to 45° position when in the complex environment with barrier, it will increase the signal reception.

Adjust TX and RX to 90° position when in open space without barrier,transmission distance will be longer and signal will be more stable

7. LED status indicator and button instruction

1. The device includes one LED status indicator: yellow data transmission indicator
The indicator always on when data transmission stable through WIFI;Otherwise, the indicator will flickering.
2. Reset button: when power on, long press the reset button 5S to reset the device.
3. Pairing button:long press the pairing button on both TX and RX simultaneously(about 6S) until the data transmission indicator(located in the middle of the panel) goes out.
under one to many or many to one application, able to switch between input and output by short press pairing button.

NOTED:

Under one to many mode, when one channel output signal is weak,it will be automatically switched to the one channel output with strong signal.

MAINTENANCE

Clean this unit with a soft, dry cloth. Never use alcohol, paint thinner or benzene to clean this unit.

PRODUCT SERVICE

1) Damage requiring service:

The unit should be serviced by qualified service personnel if:

- (a) The DC power supply cord or AC adaptor has been damaged;
- (b) Objects or liquids have gotten into the unit;
- (c) The unit has been exposed to rain;
- (d) The unit does not operate normally or exhibits a marked change in performance;
- (e) The unit has been dropped or the cabinet damaged.

2) Servicing Personnel: Do not attempt to service the unit beyond that described in these operating instructions. Refer all other servicing to authorized servicing personnel.

3) Replacement parts: When parts need replacing ensure the servicer uses parts specified by the manufacturer or parts that have the same characteristics as the original parts. Unauthorized substitutes may result in fire, electric shock, or other hazards.

4) Safety check: After repairs or service, ask the servicer to perform safety checks to confirm that the unit is in proper working condition.

WARRANTY

If your product does not work properly because of a defect in materials or workmanship, our Company (referred to as "the warrantor") will, for the length of the period indicated as below, **(Parts(2)Year, Labor(90) Days)** which starts with the date of original purchase ("Limited Warranty period"), at its option either(a) repair your product with new or refurbished parts, or (b) replace it with a new or a refurbished product. The decision to repair or replace will be made by the warrantor.

During the "Labor" Limited Warranty period there will be no charge for labor.

During the "Parts" warranty period, there will be no charge for parts. You must mail-in your product during the warranty period. This Limited Warranty is extended only to the original purchaser and only covers product purchased as new. A purchase receipt or other proof of original purchase date is required for Limited Warranty service.

MAIL-IN SERVICE

When shipping the unit carefully pack and send it prepaid, adequately insured and preferably in the original carton. Include a letter detailing the complaint and provide a day time phone and/or email address where you can be reached.

LIMITED WARRANTY LIMITS AND EXCLUSIONS

1) This Limited Warranty **ONLY COVERS** failures due to defects in materials or workmanship, and **DOES NOT COVER** normal wear and tear or cosmetic damage.

The Limited Warranty **ALSO DOES NOT COVER** damages which occurred in shipment, or failures which are caused by products not supplied by warrantor, or failures which result from accidents, misuse, abuse, neglect, mishandling, misapplication, alteration, faulty installation, set-up adjustments, misadjustment of consumer controls, improper maintenance, power line surge, lightning damage, modification, or service by anyone other than a Factory Service center or other Authorized Servicer, or damage that is attributable to acts of God.

2) THERE ARE NO EXPRESS WARRANTIES EXCEPT AS LISTED UNDER "LIMITED WARRANTY COVERAGE". THE WARRANTOR IS NOT LIABLE FOR INCIDENTAL OR CONSEQUENTIAL DAMAGES RESULTING FROM THE USE OF THIS PRODUCT, OR ARISING OUT OF ANY BREACH OF THIS WARRANTY. (As examples, this excludes damages for lost time, cost of having someone remove or re-install an installed unit if applicable, travel to and from the service, loss of or damage to media or images, data or other recorded content. The items listed are not exclusive, but are for illustration only.)

3) PARTS AND SERVICE, WHICH ARE NOT COVERED BY THIS LIMITED WARRANTY, ARE YOUR RESPONSIBILITY.

The logo for DIREKTRONIK is displayed in a bold, italicized, sans-serif font. The letters are white with a thick red outline, set against a yellow background that features a large, curved yellow shape at the bottom of the page.