

Metal cylindrical shape inductive sensors **LR30X** series



Features

- ◆ Extended sensing distance;
- ◆ ASIC design, safe and reliable;
- ◆ Perfect choice for metallic target detection;



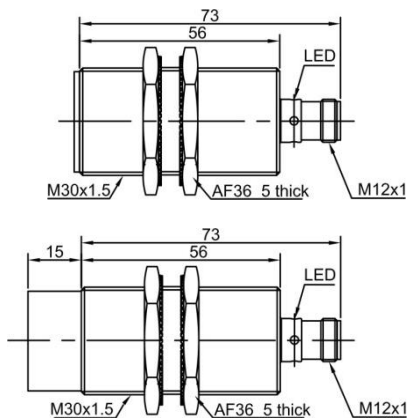
Part number

NPN NO	LR30XCF22DNOY-E2	LR30XCN40DNOY-E2	PNP NO	LR30XCF22DPOY-E2	LR30XCN40DPOY-E2
NPN NC	LR30XCF22DNCY-E2	LR30XCN40DNCY-E2	PNP NC	LR30XCF22DPCY-E2	LR30XCN40DPCY-E2

Technical specifications

Mounting	Quasi -flush	Non-flush	Current consumption	≤15mA	
Rated distance [Sn]	22mm	40mm	Circuit protection	Short-circuit, overload, and reverse polarity	
Assured distance [Sa]	0...17.6mm/0...32mm		Output indicator	Yellow LED	
Dimensions	M30*73mm	M30*88mm	Ambient temperature	-25°C...70°C	
Output	NO/NC(depends on part number)		Ambient humidity	35-95%RH	
Supply voltage	10...30 VDC		Switching frequency [F]	100 Hz	50 Hz
Standard target	Fe 66*66*1t	Fe 120*120*1t	Voltage withstand	1000V/AC 50/60Hz 60S	
Switch-point drifts[%/Sr]	≤±10%		Insulation resistance	≥50MΩ (500VDC)	
Hysteresis range [%/Sr]	1...20%		Vibration resistance	10...50Hz (1.5mm)	
Repeat accuracy [R]	≤3%		Degree of protection	IP67	
Load current	≤200mA		Housing material	Nickel-copper alloy	
Residual voltage	≤2.5V		Connection type	M12 connector	

Dimensions



Wiring diagram

