

# IP Relay ER02b

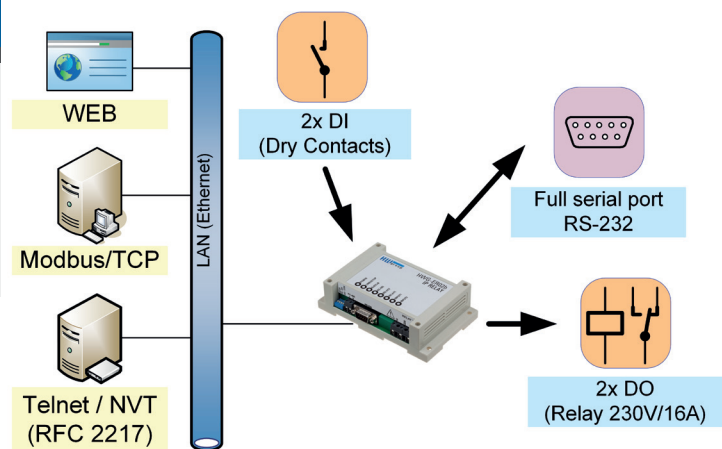
## 2x 230V/16A relay output and full RS-232 serial port over the Ethernet

Ethernet relay on a DIN rail with a Web interface. Features 2x DI (dry contact input), full RS-232 serial port and 2x DO (230V/16A relay output).

Controlled over the web or Modbus/TCP. Virtual serial port for Windows (HW-VSP application) is available free of charge.

IP Relay can be used to connect any product with a serial port over the LAN (RFID readers, bar code readers, PLC, printers, and so on).

The Box-2-Box mode can "tunnel" the I/O and the serial port over the LAN between two units. Pressing a button at unit A activates an output at unit B.



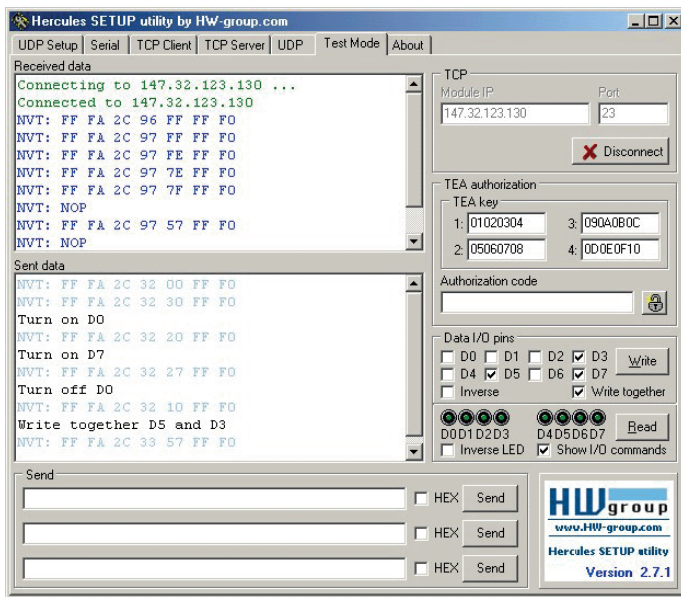
## Applications

- Remote serial port – connect a generic RS-232 device over LAN.
- Remote restart in a rack, fitted on a DIN rail.
- Open a gate, sound a horn or signal an alert.
- Connect a RFID reader + I/O for control.

- ✓ Full RS-232 serial port
- ✓ 2x 230V/16A relay output
- ✓ 2x dry contact input
- ✓ Box-2-Box mode
- ✓ I/O control using Modbus/TCP
- ✓ WEB interface

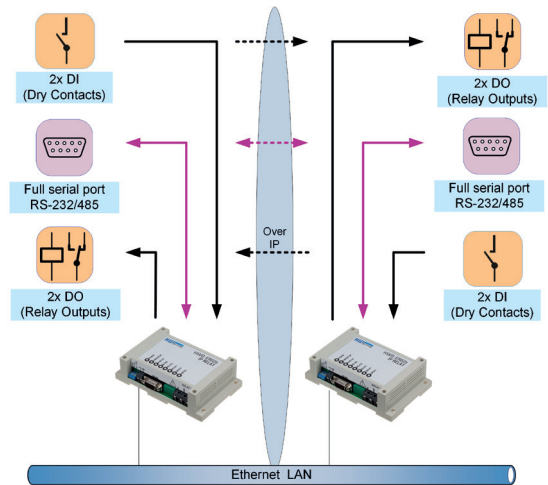
## Basic features

- Fits on a DIN rail. Features 2 relay outputs that can switch up to 3,6 kW.
- Web-based configuration.
- Two digital inputs for buttons, relay outputs or door contacts.
- Virtual serial port for Windows, free of charge (e.g. COM27 redirected from the PC over the LAN).
- Virtual serial port (HW VSP) supports full serial port signaling and up to 100 remote serial ports.
- HWg-SDK for programmers (includes examples for Borland C++ Builder, MS Visual C, VB, Delphi, C#, PHP, JAVA).



## IP Relay ER02b

<b>Ethernet</b>	100 Mbit/s
<b>IP protocol</b>	ARP, UDP/IP, TCP/IP (HTTP, Telnet + RFC2217, Modbus/TCP)
<b>Digital inputs</b>	2 digital inputs (dry contacts)
<b>Digital outputs</b>	2 NO/NC relay outputs (230V/16A)
<b>RS-232</b>	Cannon DB9M (Rx/D, Tx/D, CTS, RTS, DSR, DTR, RI, CD, GND)
<b>RS-485</b>	2-pin terminal block
<b>Power</b>	12–30V/0.25 A
<b>Dimensions</b>	145 x 90 x 40 mm
<b>Operating conditions</b>	-5 °C to +75 °C +23 °F to +167 °F



## Optional accessories



I/O controller2



IP WatchDog HWg-WR02a



PortBox2

<b>IP Relay HWg-ER02b</b>	Product quick start set – 2x relay (230V/16A) + RS-232/485 to Ethernet, CD, power adapter.
<b>IP Relay HWg-ER02b SET</b>	Ethernet relay. DIN rail, Web control, 2x DI, full RS-232/485 serial port and 2 relay DO (230V / 16A).
<b>PortBox 2 SET</b>	Product quick start set – RS-232/485 to the Ethernet. Contains a CD and a power adapter.
<b>IP WatchDog HWg-WR02a SET</b>	Quick start set of an industrial watchdog (supports RS-232) Contains a power adapter and a CD.
<b>I/O controller 2 SET</b>	Product quick start set - 8x DI, 8xDO + RS-232/485 to the Ethernet, CD, power adapter, test board.