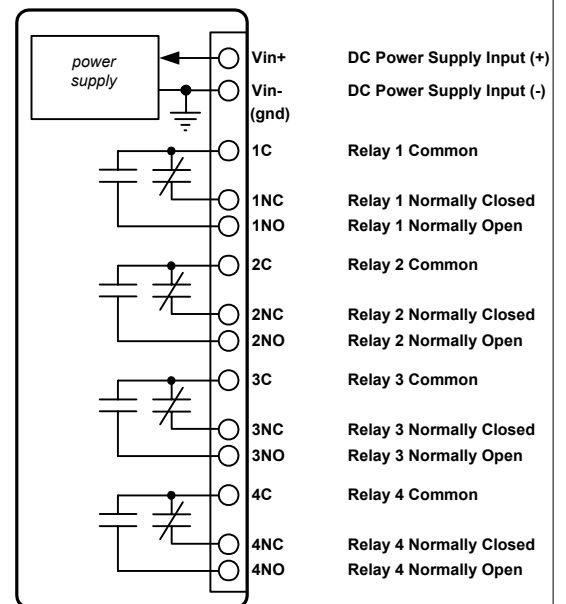
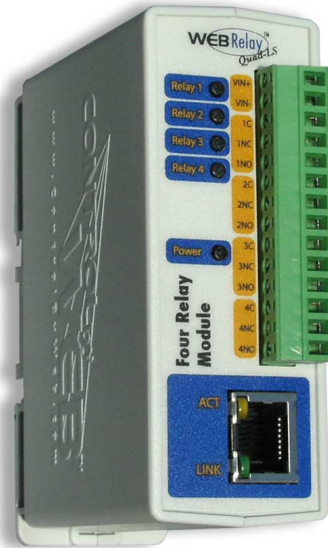


# WEBRelay™ Quad-LS

## Quick Start Guide

### Basic Setup Steps:

- (1) Connect unit to power and network only.
- (2) Set up a computer on the same network to configure WebRelay-Quad™. To do this, set the IP address of the computer to 192.168.1.50 with a netmask of 255.255.255.0.
- (3) Configure WebRelay-Quad™ using web browser. Do this by pointing browser to <http://192.168.1.2/setup.html>. Password is webrelay (all lower case).
- (4) Set the permanent IP address in the configuration page. Restart WebRelay-Quad™ (remove power, re-apply power). After restarting the unit, set your computer back to it's original settings and access WebRelay™ at its new IP address.
- (5) Connect relay contacts.



Note: WebRelay-Quad™ can be configured to operate at 10Mbps or 100Mbps. For best power savings and long term performance the 10Mbps setting is recommended.

### Factory Default Settings

IP Address: 192.168.1.2  
 Subnet Mask: 255.255.255.0  
 Control Web Address: <http://192.168.1.2>  
 Setup Web Address: <http://192.168.1.2/setup.html>  
 Username: *no username required*  
 Control Password: *no password set*  
 Setup Password: webrelay (all lower case)

**DIREKTRONIK**

Direktronik AB tel. 08-52 400 700 [www.direktronik.se](http://www.direktronik.se)

**CONTROL by WEB**  
[www.ControlByWeb.com](http://www.ControlByWeb.com)

a division of...  
**Xytronix Research & Design, Inc.**  
 North Logan, Utah, USA