

# Bathroom Occupancy Sensor

Featuring LoRaWAN®

## VS330

The Milesight logo features the word "Milesight" in a stylized, italicized font. The letter "M" is significantly larger and more prominent than the rest of the text.

VS330 is a LoRaWAN® bathroom occupancy sensor providing a cost-effective solution for monitoring the occupancy status of the bathrooms and the cubicles of a public toilet in different scenarios. VS330 has combined dual technologies, Time-of-Flight (ToF) technology and Passive Infrared (PIR) sensor to identify the human body and motions with a smart logic and an industry-leading accuracy exceeding 99.5%. VS330 could easily adjust to different scenarios with 100% anonymity and low power consumption.

VS330 could be managed by integrated systems and it allows users to monitor the occupancy and trigger linkage to control other devices via a web browser or mobile App remotely. Damp-proof coating inside ensures it working well under various conditions.

VS330 can be widely used in workplace cubicles, restrooms and other places.

## ◆ Features

- High detecting accuracy based on Time-of-Flight (ToF) technology and Passive Infrared (PIR) detection with maximal possibility and industry-leading accuracy of over 99%
- 100% anonymity and GDPR-compliant to detect space occupancy and human detection
- Real-time update and ultra-low power consumption
- Effective in static or motional applications with low mistaken rate
- Effective in low-light or completely dark environments
- Damp-proof coating inside the device to ensure the device works well in various conditions of

bathrooms and other scenarios

- Adjustable sensor angle enables multi-mounting methods for various applications
- Built-in NFC for easy configuration
- Compatible with standard LoRaWAN® gateways and network servers
- Quick and easy management with Milesight IoT Cloud solution

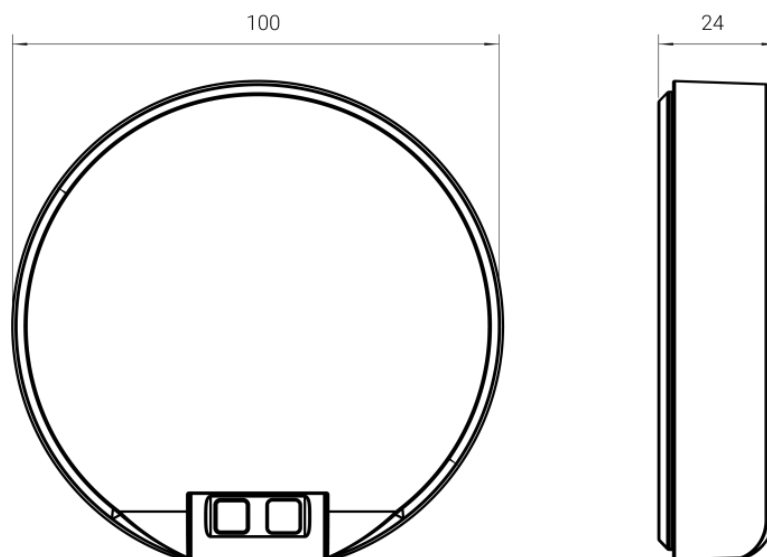
## ◆ Specifications

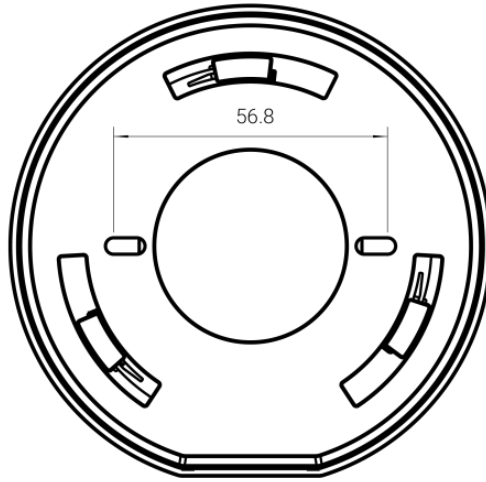
<b>Wireless Transmission</b>	
Protocol	LoRaWAN®
Antenna	Internal Antenna
Frequency	CN470/IN865/RU864/EU868/US915/AU915/KR920/AS923-1&2&3&4
Tx Power	16 dBm (868 MHz)/19 dBm (470 MHz)/22 dBm (915 MHz)
Sensitivity	-137dBm
Mode	OTAA/ABP Class A
<b>Sensors</b>	
<b>ToF</b>	
ToF FoV	27°
Detection Range	0.040 ~ 3.500m
Accuracy	± 2cm
Resolution	1mm
<b>PIR</b>	
Detection Area	80°
Detection Distance	Maximum 2.5m
<b>Others</b>	
Sensor Adjustable Angle	0°, 15°, 30°, 45°, 60°, 75°
<b>Others</b>	
LED	1 × Status/Test Indicator
Button	1 × Power/Reset Button
<b>Software</b>	
Power On/Off	Mobile App via NFC or Power Button
Configuration	Mobile App via NFC
<b>Physical Characteristics</b>	
Power Supply	3 x 4000 mAh ER18505 Li-SOCl <sub>2</sub> Replaceable Batteries

Battery Life* (90 users + within 7 consecutive hours per day)	Around 4.2 Years (SF7, EU868 & US915) Around 3.4 Years (SF10, EU868) Around 3.3 Years (SF10, US915)
Operating Temperature	-20°C ~ 60°C
Relative Humidity	0% - 95% (non-condensing)
Ingress Protection	IP30
Dimension	Φ 100 x 24 mm (Φ 3.94 x 0.95 in)
Housing & Color	PC+ABS (Flame Retardant), White
Weight	150g (Batteries Included)
Installation	Ceiling Mount or Wall Mount via Screws or 3M tapes
<b>Approvals</b>	
Regulatory	CE, FCC, Telec
Environmental	RoHS

\* Tested under laboratory conditions and for guideline purposes only.

## ◆ Dimensions(mm)





**DIREKTRONIK**