

Explosion proof Camera

For Hazardous Area



Installation Manual

Content

Content.....	2
1 Explosion Level.....	3
2 Technical Data	3
3 Installation.....	3
3.1 Some Typical Installation Method.....	4
3.2.1 Ceiling Installation	4
3.2.2 Pole Installation.....	5
3.2.3 Wall Installation.....	6
3.2 Cable connection.....	7
3.2.1 For IP models.....	7
3.2.2 For analogue models.....	7
4 Log in.....	8
5 Repairs and Maintenance	8
6 Transportation and Storage.....	9
7 Drawings.....	9
8 Certificate.....	9

1 Explosion Level

This Series Ex cam is ATEX certificated.
Following is the ex level.



II 2G Ex d IIC T6 Gb

II 2D Ex tb IIIC IP68 T80°C Db

2 Technical Data

3 Installation

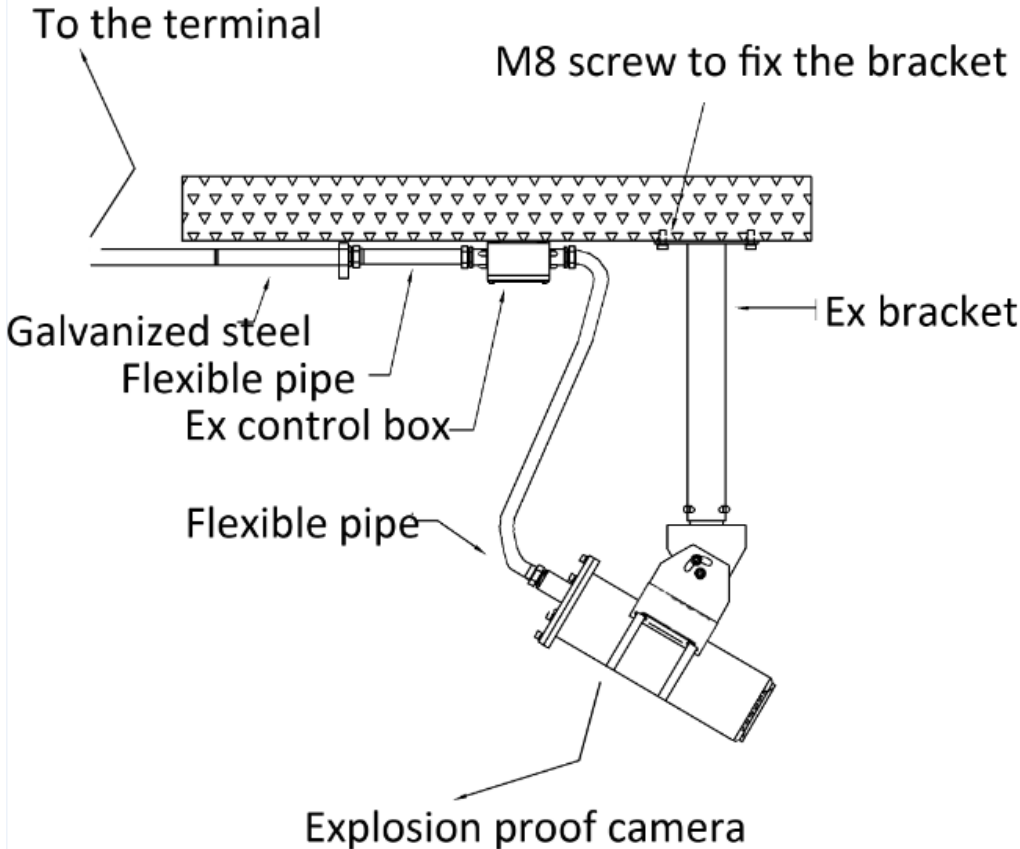


Attention!

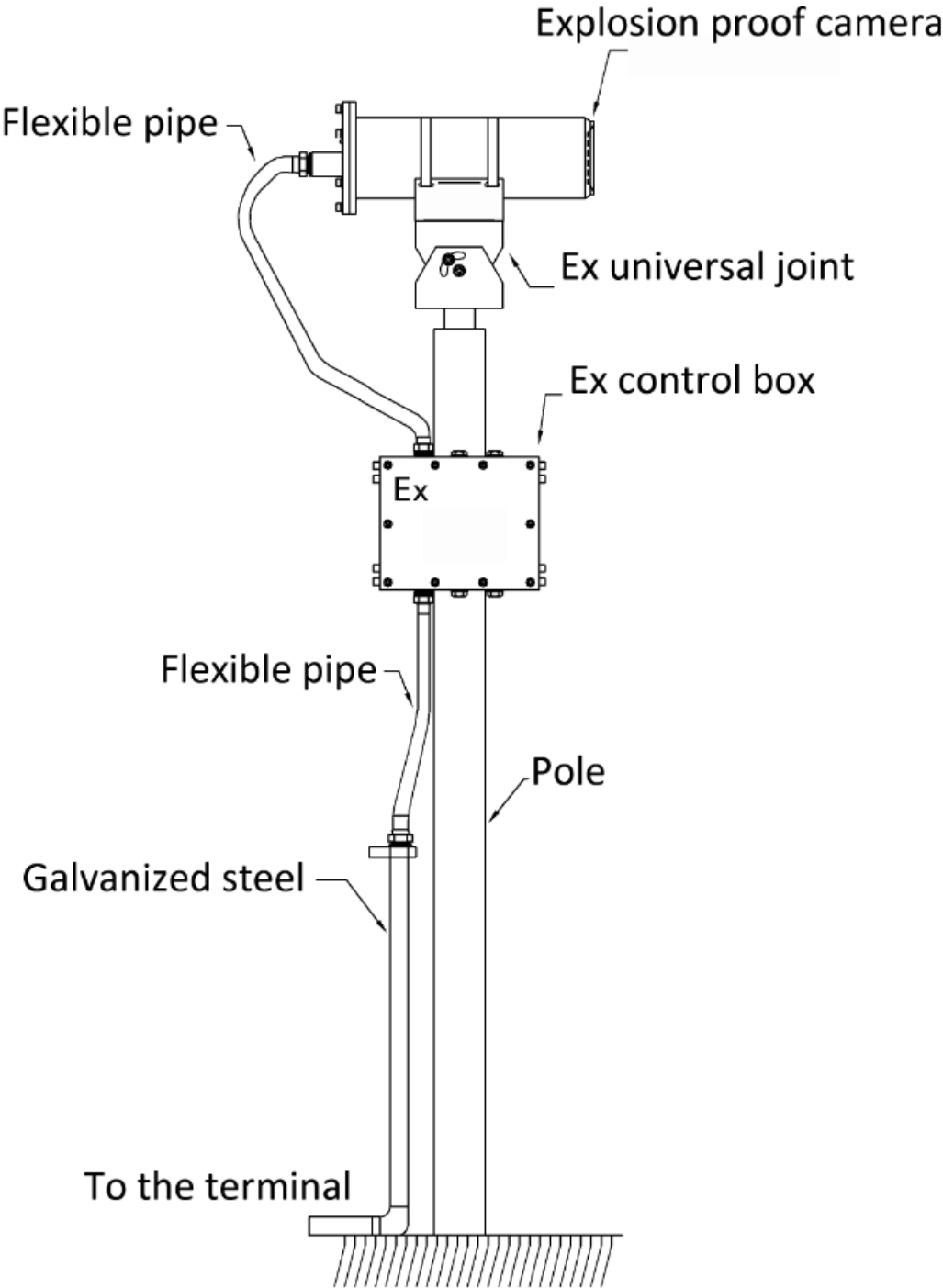
Please observe the national regulations regarding security, installation, and accident prevention as well as the safety guidelines described in this user manual and the ATEX installation manual!

3.1 Some Typical Installation Method

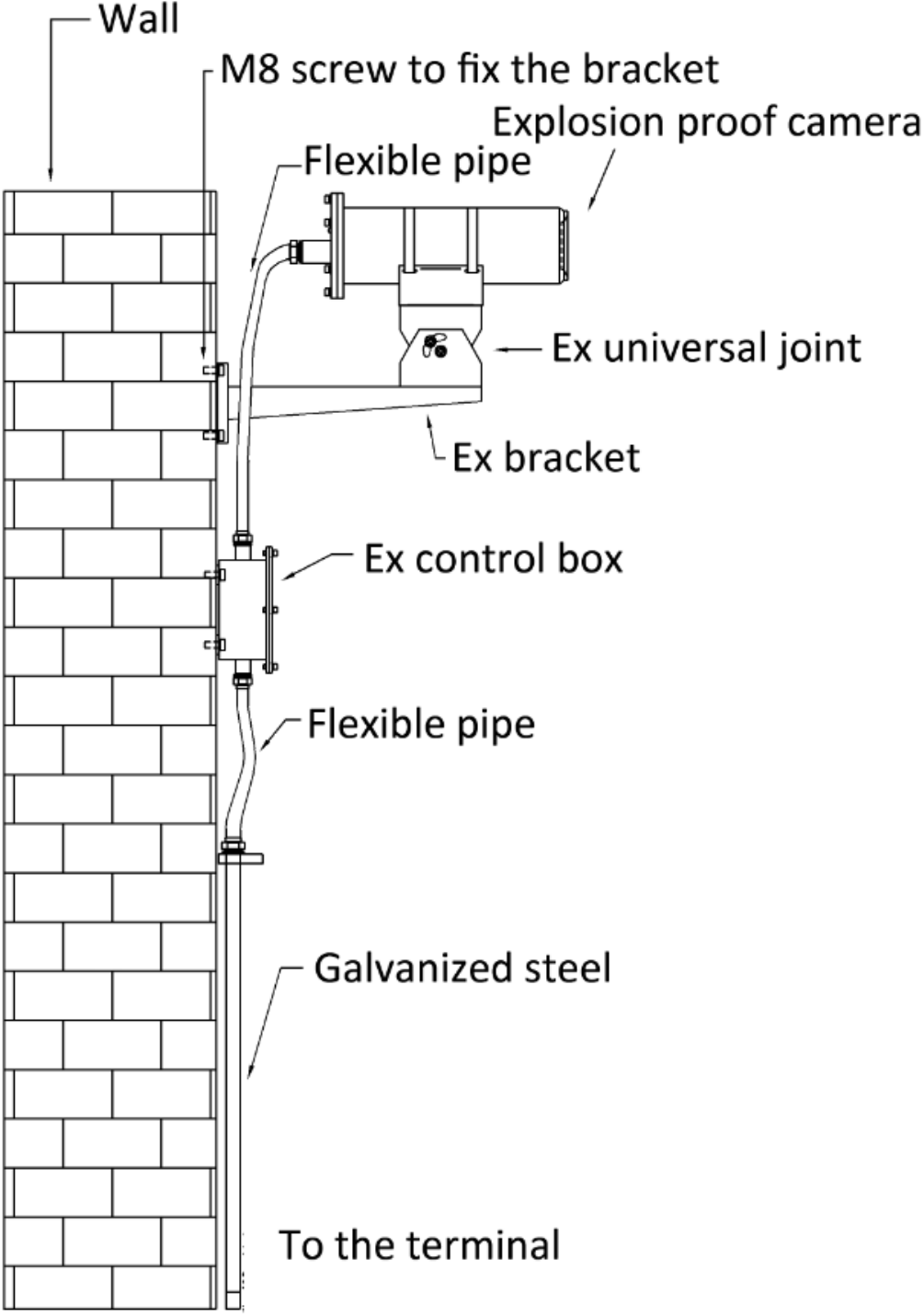
3.2.1 Ceiling Installation



3.2.2 Pole Installation



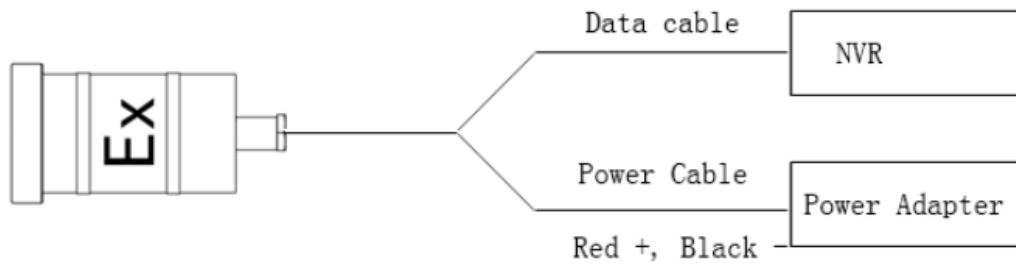
3.2.3 Wall Installation



3.2 Cable connection

3.2.1 For IP models.

There are two group of cable: RJ45 data cable and power cable. RJ45 need to be connected to NVR. For power cable, the red is positive and black is negative. For 220V, don't distinguish positive and negative.

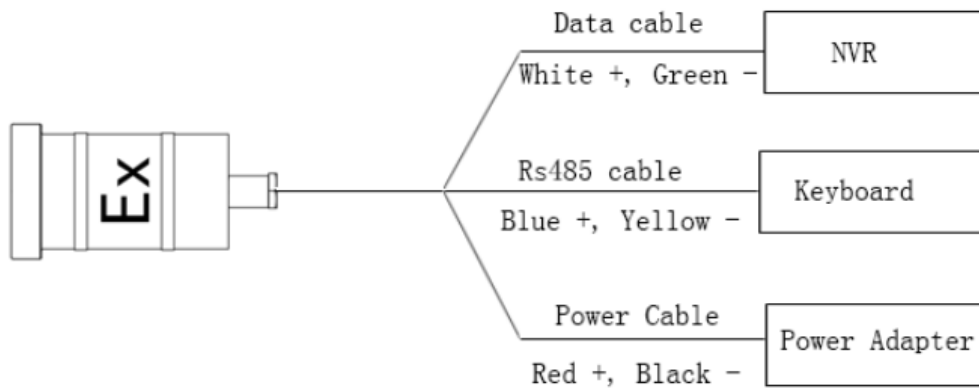


Following is the RJ45 Definition.

Pin	Signal	Pin	Signal
1	Tx+	5	Reserved
2	Tx-	6	Rx-
3	Rx+	7	Reserved
4	Reserved	8	Reserved

3.2.2 For analogue models.

There are three group of cable: data cable, RS485 control cable and power cable. Data cable need to be connected to the DVR, white is positive and green is negative. RS485 cable can be connected to keyboard, blue is positive and yellow is negative. For power cable, the red is positive and black is negative. For 220V, don't distinguish positive and negative.



Note: please refer to the final products for the cable.

4 Log in

Log in

Enter the following IP address on the browser and do as the instruction on the browser.

IP Address: 192.168.1.64

Port: 80

User: admin

Password: 123456

Note: please confirm the final info from the label on the camera

5 Repairs and Maintenance

Repairs must only be carried out with original parts.

Repairs concerning the explosion protection must only be carried out by the manufacturer or a qualified electrical technician authorized by the manufacturer in accordance with nationally applied regulations.

Rebuilding of or alterations to the devices are not permitted

6 Transportation and Storage

- Avoid impacts
- Check the equipment regarding possible damages at the packaging or the camera
- Store the camera in its original packaging and in a dry and weatherproof place until installation
- Avoid exposing the equipment to extreme heat or cold

7 Drawings

8 Certificate

certificate number: ECM 24 ATEX-B C000

you can verify the certificate at following website.

<http://certificate.entecerma.it/en/CertificateVerification.aspx#>



Certificato di esame UE del tipo

EU-type examination certificate

n. ECM 24 ATEX-B C000



Rilasciato ai sensi della direttiva 2014/34/UE – Allegato III - Modulo B
Issued according to 2014/34/EU Directive – Annex III - Module B

Richiedente

Applicant

Ragione Sociale Company Name	KAIXUAN TECHNOLOGY CO.,LIMITED
Indirizzo Address	No.332, Feitou, Mawei District, Fuzhou, China
Apparecchiatura Equipment	Explosion proof Camera
Modelli Models	KX-EX, KX-EX700, KX-EX701, KX-EX707, KX-EX1000, KX-EX2000, KX-EX2001, KX-EX600, KX-EX900, KX-EX09, KX-EX10, KX-EX08, KX-EX18.

Questa apparecchiatura o sistema di protezione e le sue eventuali varianti accettate sono descritte nel presente Certificato e nell'allegato dello stesso. This equipment or protective system and any acceptable variation thereto are described in this Certificate and its Annex.

L'ECM, Organismo Notificato n° 1282 in conformità all'art. 17 della Direttiva 2014/34/UE del Parlamento europeo e del Consiglio del 26 febbraio 2014, certifica che questa apparecchiatura o sistema di protezione verificata secondo la procedura di cui all'allegato III, Modulo B, è conforme ai requisiti essenziali di sicurezza e salute per il progetto e la costruzione di apparecchiature e sistemi di protezione destinati ad essere utilizzati in atmosfere potenzialmente esplosive, definiti nell'allegato II della Direttiva.

Le verifiche ed i risultati di prova sono registrati nel rapporto a carattere riservato n° PRD-2024-C000.

I requisiti essenziali di sicurezza e salute sono assicurati dalla rispondenza alle **Norme applicate:** EN IEC 60079-0:2018, EN 60079-1:2014, EN 60079-31:2014.

Questo **Certificato di esame UE del tipo** è relativo soltanto al progetto, all'esame ed alle prove dell'apparecchiatura o sistema di protezione specificato in accordo con la Direttiva 2014/34/UE. Ulteriori requisiti di questa Direttiva si applicano al processo di produzione e fornitura dell'apparecchiatura o sistema di protezione: questi requisiti non sono oggetto del presente certificato.

L'apparecchiatura o il sistema di protezione deve riportare i seguenti contrassegni:
The equipment shall be marked with the following symbols:



II 2 G Ex db IIC T6 Gb



II 2 D Ex tb IIIC IP68 T80°C Db

Valsamoggia (BO)
Data - Date 26/08/2024
Timbro

Scadenza - Expiry date 25/08/2029

Test Report / Technical Construction File no. ---

Questo certificato, incluso l'allegato, può essere riprodotto solo integralmente e senza alcuna variazione.
This certificate, annex included, can only be reproduced in its entirety and without any change.



Firma autorizzata
Authorized signature

Amanda Payne
(Deputy Manager)