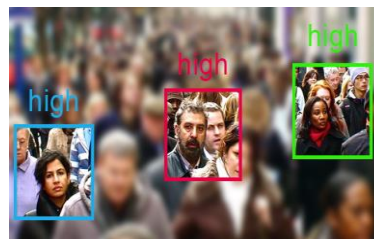


ANTI-CORROSION IP PTZ CAMERA



Feature

- Anti-corrosion standard: NEMA-4X
- Temperature range -20°C ~ 60°C or -40°C ~ 50°C
- IP68 & IP69K
- Stainless steel 316L
- 30X optical zoom
- ROI (Region of Interest) & smart stream function
- Support privacy zone mask x 6 areas
- Support auto tracking
- DIS (digital image stabilizer) function
- Point-to-go for easy PTZ control (patrol group)
- Support cruise x 8 groups & 256 preset points
- POE support (60W compliant)
- ONVIF compliant
- APP push video
- Built-in Micro SD card for option
- Made in Taiwan

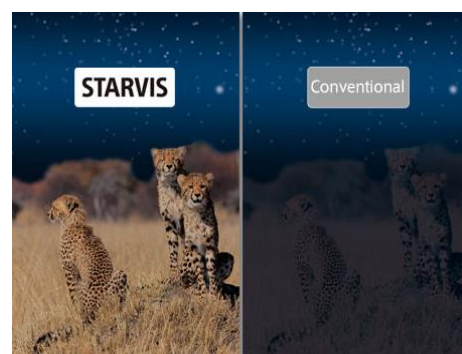


Region of Interest for 3



Solution for harsh area: on vessels at sea, ports and piers, bridges, exposed beachside, clean room or car parks

StarLight Sony Sensor

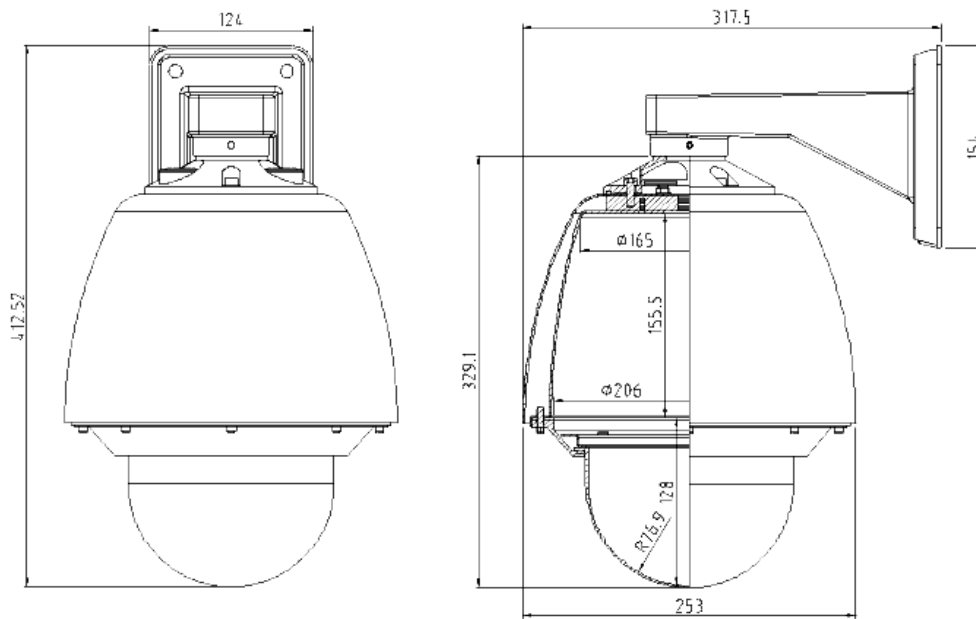


Excellent low light (STARVIS)

Specification

| | | |
|-------------------|--|---|
| Server | Compression | H.265 / H.264 / MJPEG, 3 Streams |
| | Resolution | 1920x1080@30fps, 1280x720@30fps, 640x480@30fps, 640x360@30fps, 320x240@30fps, 176x144@30fps |
| | Traffic Control | 32K ~ 8Mbps |
| | Max. Frame Rate | (30fps)1920x1080 |
| | Safety | Password protection, IP address filtering, HTTPS encrypted data transmission, 802.1X port-based authentication for network protection, QoS/DSCP |
| | Protocols | IPv6, IPv4, HTTP, HTTPS, SNMP, SSL, TLS, DNS, ICMP, IGMP, ARP, SNTP, QoS/DSCP, IEEE 802.1X, RTSP/RTP/RTCP, TCP/IP, UDP, SMTP, FTP, PPPoE, DHCP, DDNS, NTP, UPnP, 3GPP, SAMBA, Bonjour, Google Drive, Dropbox, ONVIF Profile S |
| | Number of User | Max. 10 connections |
| | Alerting | SMTP / FTP / Samba / SD card / I/O / Google Drive / Dropbox |
| | Pre / Post Alarm | Pre(0,1,2,3,4,5) / Post(0,1,2,3,4,5,10)seconds |
| | Release for Alarm | Motion Detection / I/O / Tampering Detection / Sound Detection |
| Network Camera | Sensor | 1/2.8" Sony Exmor-R CMOS Sensor |
| | Optical Lens | 30X optical zoom lens 4.7-141mm / F1.5 - F4.0 |
| | Shutter Time | Outdoor / Indoor / 1/30, 1/50, 1/60, 1/100, 1/125, 1/250, 1/500, 1/1000, 1/5000, 1/10000 |
| | Min Illum | 0.005Lux(Color), 0.001Lux(B/W) |
| | View Angle | 3.9°~60.0°(H) / 1.8°~34.0°(V) |
| | Pan / Tilt Range | Pan: 360° / Tilt: 0°~90° auto flip |
| | Manual Control Speed | Pan: 0.39°~85.91°/s , Tilt: 0.2°~42.96°/s |
| | Preset(Patrol) Speed | 400°/s |
| | Preset Accuracy | <±0.15° |
| | Preset Points | 256 |
| | Preset Focus Mode | Auto / Manual |
| | Patrol | 8 groups with 24 point |
| | Auto Pan | Yes |
| | Auto Recovery | Pending Time, Action |
| | Cruise | Yes, 8 groups |
| | Home Position | Yes |
| | Point To Go | Yes |
| | Day / Night | Auto / Light sensor mode / Color mode(Day) / B/W mode(Night) / Times mode |
| Intelligent Video | ROI / Smart Stream / DIS / D-WDR / Privacy Mask / Motion Detection / Tampering Detection / Sound Detection / 3D-De Noise Reduction / Anti-fog / Video Orientation / Cruise / Point-To-Go / Diagonal Movement / Present Point (Patrol Group), Auto Tracking | |
| Audio | Audio Compression | G.711(64Kbps) / G.726(32Kbps) / G.726(24Kbps) |
| | Adjust Volume | Mic-in / Audio-out web adjustable |
| | Audio In | 3.5mm stereo jack, support 2 way |
| | Audio Out | 3.5mm stereo jack, support 2 way |
| Terminal | Network Interface | Ethernet (10Base-T/100Base-Tx) / PoE |
| | Video Interface | -- |
| | External Port | DI x 4 / DO x 2 |
| | SD Card | Internal SD Card Slot support up to 256G, industrial SD card suggest (Recording trigger for schedule, Motion detection, IP check, Network wire break down, DI) |
| General | Operation Voltage | DC 12V Max: 13W / PoE Max: 20W |
| | Dimen./Weight | 253mm(φ) x 366.7mm(H) / 10.5kgs |
| | Operation Temp. | -20℃ ~ +60℃ or -40℃ ~ +50℃ (built-in heater for option) |
| | Enclosure | 316L Stainless steel Housing, NEMA-4X, IP68, IP69 |

Dimension



Accessories (Optional):



Pole Mount

Poles 4 to 6" diameter

240 x 163 x 72mm, 1.6kgs



Concave Corner Mount Adaptor

305 x 210 x 60mm, 1.1kgs

Convex Corner Mount Adaptor

322 x 210 x 179mm, 2.1kgs

DIREKTRONIK

Direktronik AB tel. 08-52 400 700 www.direktronik.se