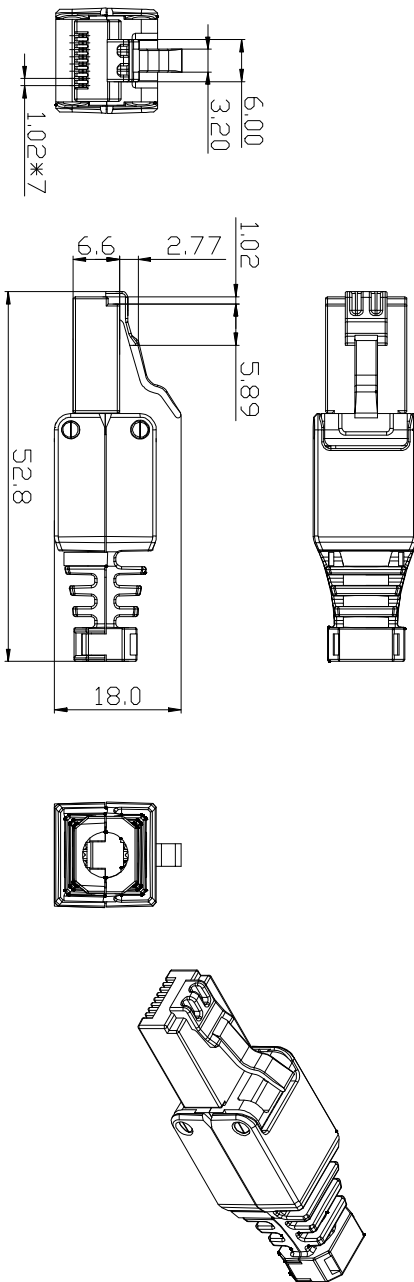


Best.nr: 11-3001



- ELECTRICAL:**
1. CONTACT RESISTANCE: 20M OHMS MAX
 2. INSULATION RESISTANCE: 250M OHMS @500V DC
 3. WITHSTAND VOLTAGE: DC1000V AC700V RMS 60HZ, 1MIN
 4. CAT6 PERMANENT LINK: CONFORM TO ANSI/TIA/EIA 568B. 2-10

- ENVIRONMENTAL:**
5. STORAGE: -40° / +70°
 6. OPERATION: -10° / +60°

- MECHANICAL:**
7. PLASTIC MATERIAL: PC UL 94-V0
 8. IDC MATERIAL: PC
 9. TERMINAL: PHOSPHOR BRONZE, TIN GOLD 3U''/6U''/15U''/30U''/50U''
 10. RJ45 CONTACT LIFE: 750 TIMES MIN
 11. IDN LIFE: 250 TIMES MIN

- TYPE:**
12. UNSHIELDED CAT6 TOOLLESS PLUG
 13. COLOUR: WHITE

更改 REV	日期 DATE	修改内容 MODIFICATION	修改 DRAWN
-----------	------------	----------------------	-------------

DIMENSION IN mm (inch) TOLERANCE UNLESS OTHERWISE SPECIFIED		材料 MATERIAL	图号 DWG. NO.
X±0.20	.X°±5°	名称/料号 TITLE	CAT6 UTP PLUG,
.XX±0.10	.XX°±2°	比例 SCALE	1/1

审核 APPROVAL	核对 CHECKED	制图 DRAWN	角法 FOLD	张数 SHEET
				修改 REV