



DESTINATION

RACK 19" cabinet enables integrating CCTV, AC, I&HAS, RTV, LAN, or other systems in small companies or households. It is intended for devices manufactured in enclosures of 19" standard. Due to RACK cabinets, devices are aesthetically mounted and protected against mechanical damage.

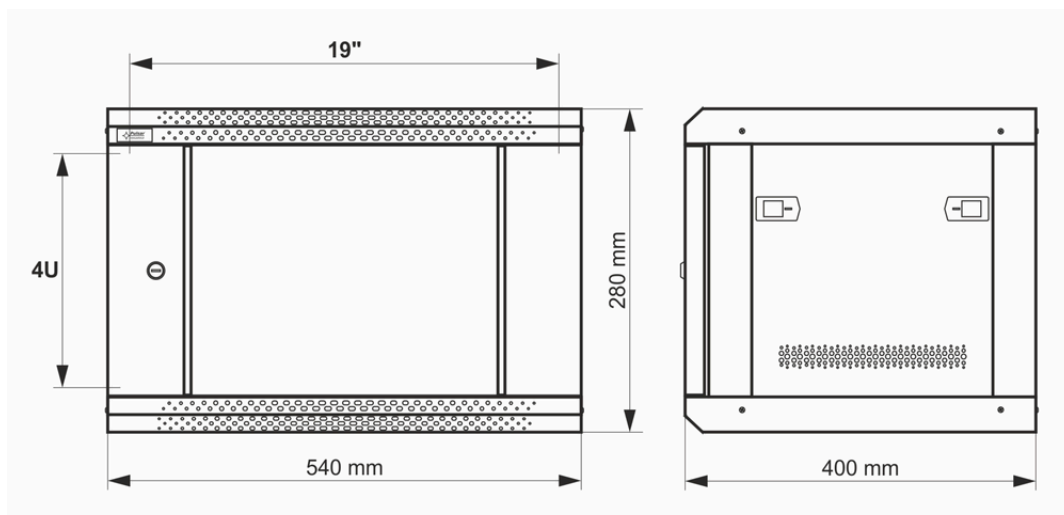
TECHNICAL DATA

Mechanical parameters:

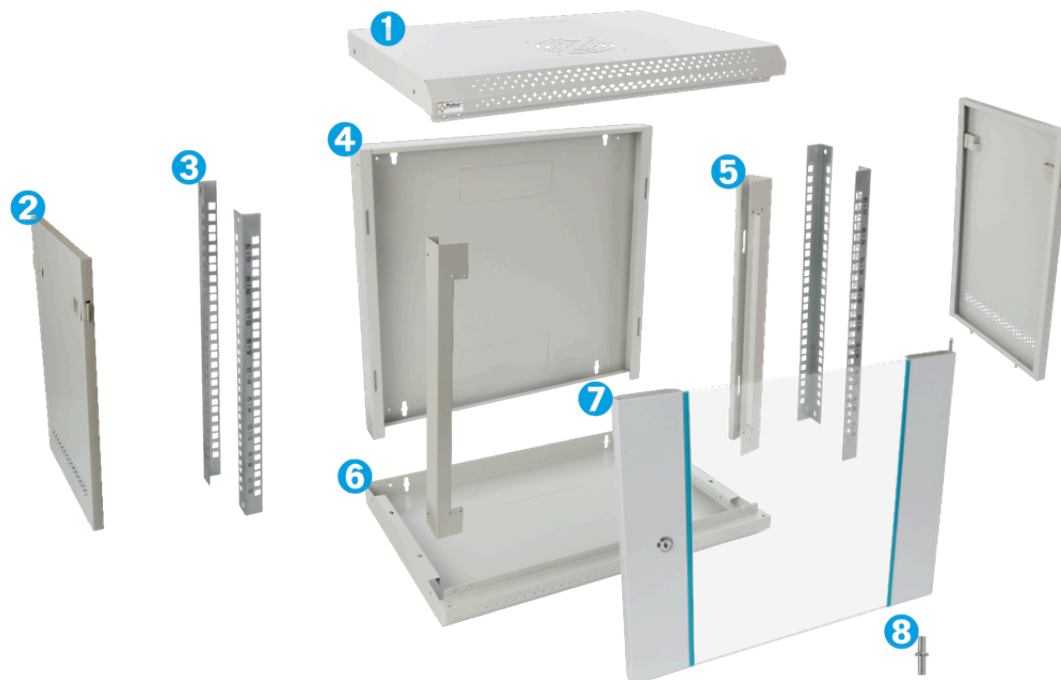
Mounting dimensions:	19" x 4U
Dimensions:	540 x 280 x 400 [mm, +/-2]
Material:	cold-rolled steel SPCC, 0.6mm, 1mm, RAL7035 (grey), metallic RACK mounting rails - 1,0mm top and bottom panel - 0,6mm construction profile - 0,6mm front door - 0,6mm / 4mm toughened glass side panels - 0,6mm rear panel - 0,6mm
Static load:	30 [kg]
Closing:	front door - lock (RAZ-G1, same code) side panel - Click
Destination:	indoor
Weight:	6.2 / 7.2 [kg]
Type Cabinets:	wall mounted ready-to-assemble
Notes:	adjustable distance between front and rear RACK rails ventilation hole in the top panel (1 x 105x105mm - installation dimensions) cable ducts in the top and bottom panel (175x58mm) changeable door - right or left
Warranty:	2 years
Declaration:	CE

Operating parameters:

Protection grade EN60529:	IP 20
Operating conditions:	-10°C ... +40°C
Storage temperature:	-20°C ... +60°C
Relative humidity:	20% ... 90% , without condensation
Sinusoidal vibrations during operation:	unacceptable
Impulse waves during operation:	unacceptable
Direct insolation:	unacceptable
Vibrations and impulse waves during transport:	PN-83/T-42106













Structure of the cabinet



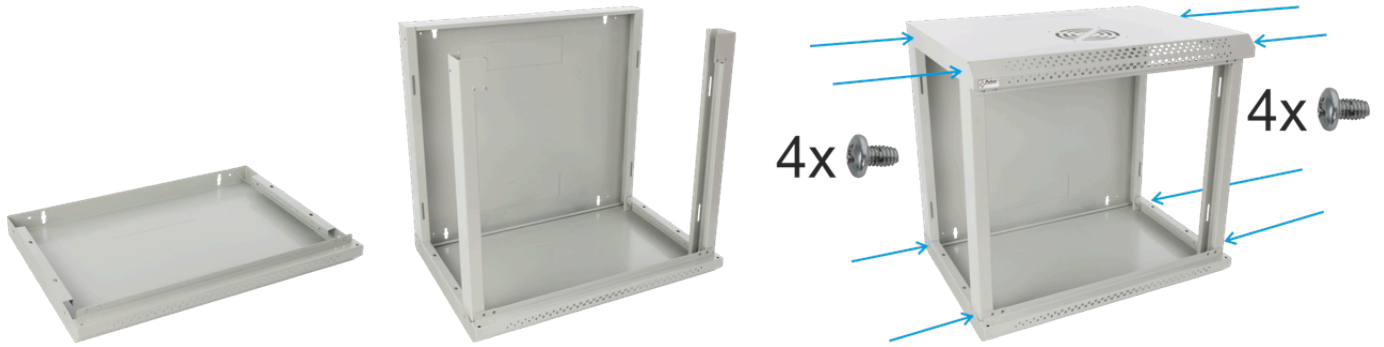
- 1 - Top panel
- 2 - Side panels
- 3 - RACK profiles 19"
- 4 - Rear panel
- 5 - Construction profile
- 6 - Bottom panel
- 7 - Front door with lock
- 8 - Hinge Pin

Components

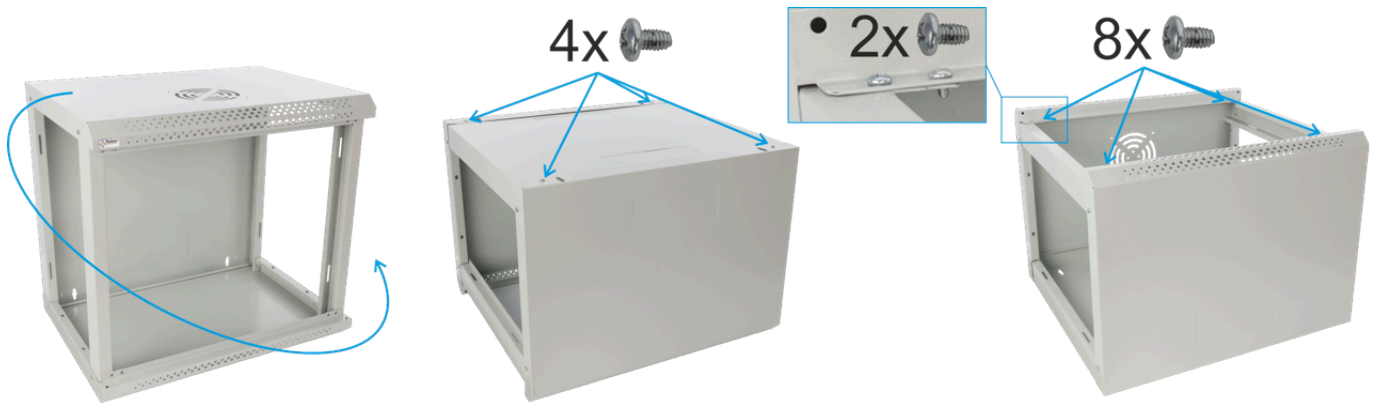
No.	Component	Amount	Picture	No.	Component	Amount	Picture
1	Top panel	1 pc.		6	Bottom panel	1 pc.	
2	Side panels	2 pcs.		7	Front door	1 pc.	
3	RACK profiles 19"	4 pcs.		8	Hinge Pin	1 szt.	
4	Rear panel	1 pc.		9	Lock	1 pc.	
5	Construction profile	2 pcs.		10	Screws	28 pcs.	

Assembling the RACK Cabinet

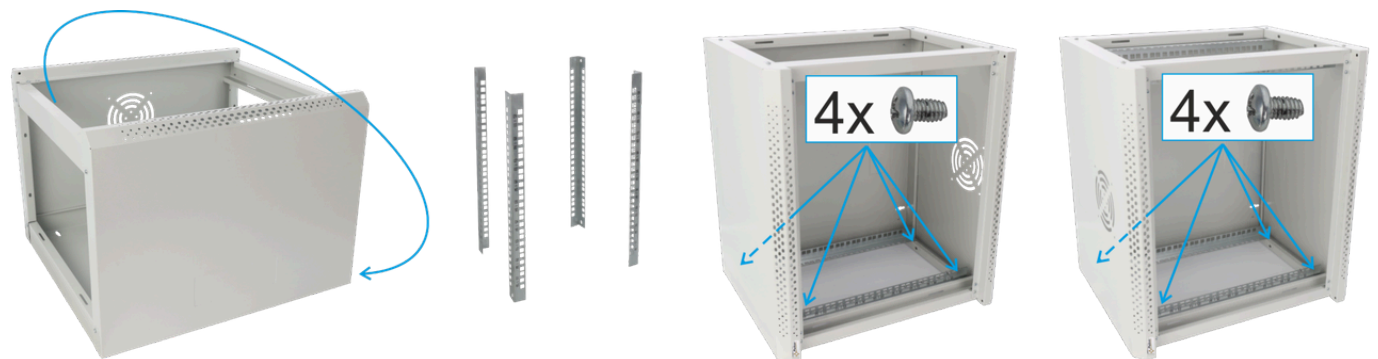
Insert the rear panel and two structural profiles into the lying bottom panel. Then, add the top panel and screw the cabinet together from the left and right sides with 8 screws.



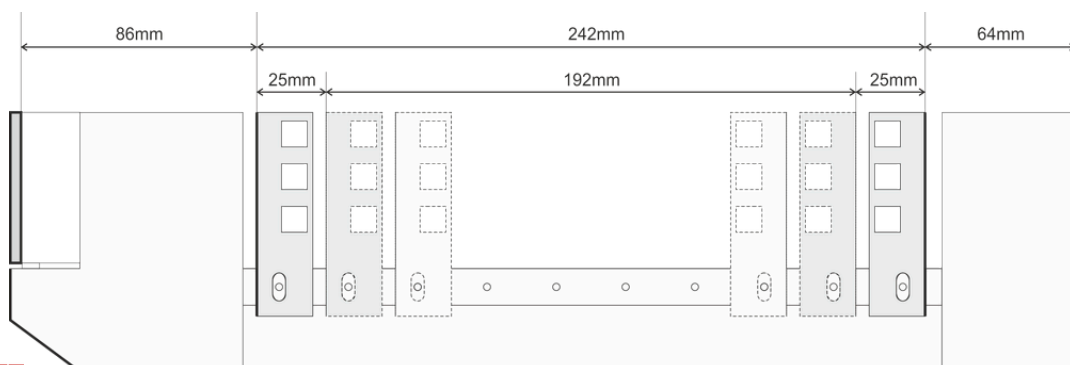
Place the cabinet so that you have access to its rear part. Screw the rear part with 4 screws. Lay the cabinet on its back to have access to the front part. Screw the front part with 8 screws (two screws for each corner).



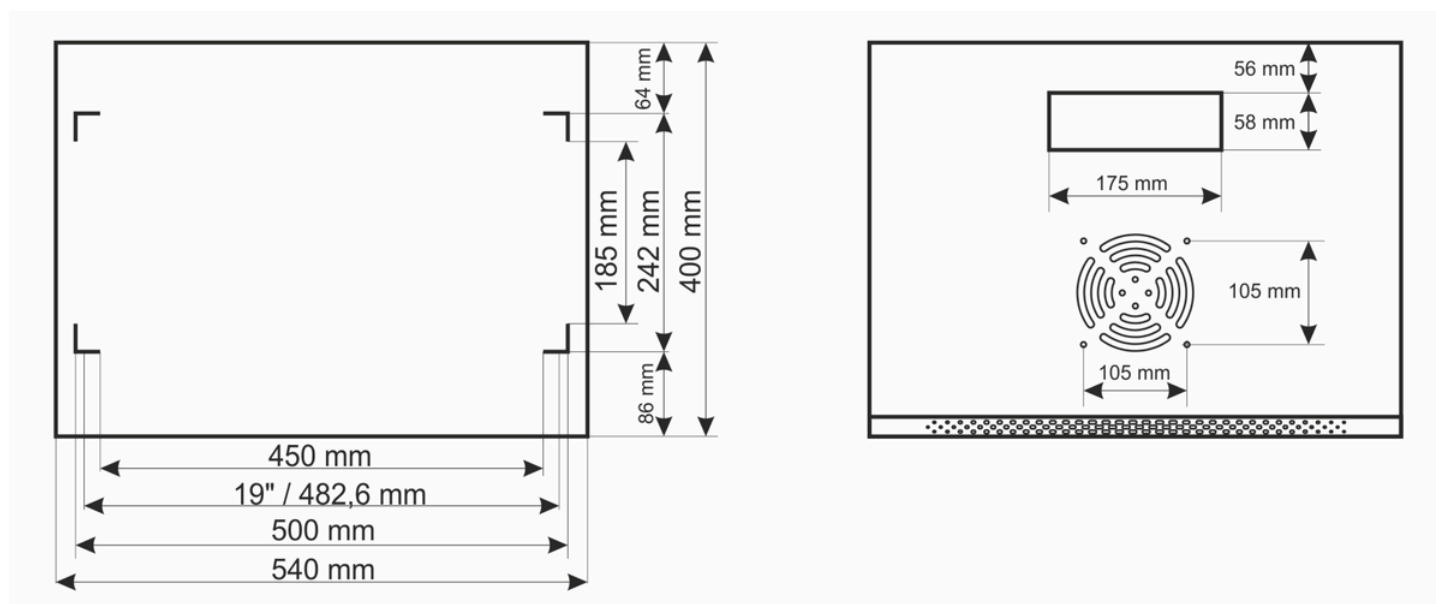
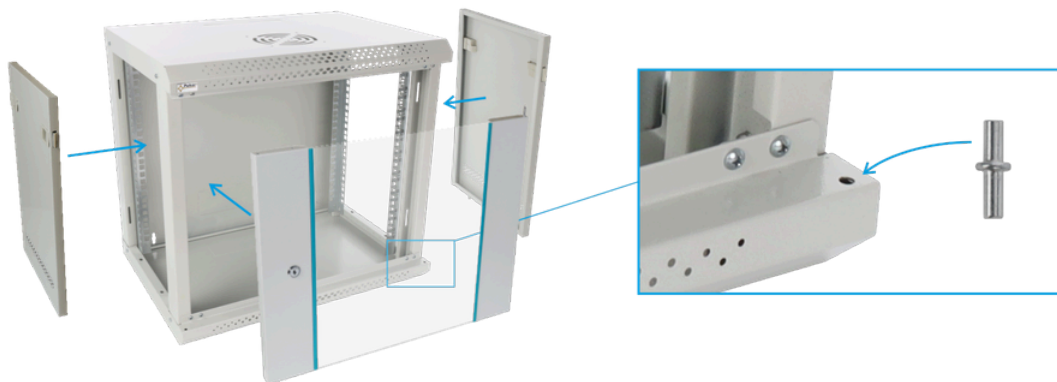
Lay the cabinet on its side and mount the RACK profiles with 4 screws (repeat the same process by laying the cabinet on the other side).



Note - The distance of the RACK profiles can be adjusted stepwise forward and backward, according to the diagram below.



Set the RACK cabinet upright and install the side and front doors.



Mounting the RACK Cabinet

Choose the appropriate mounting dowels depending on the type of surface.

