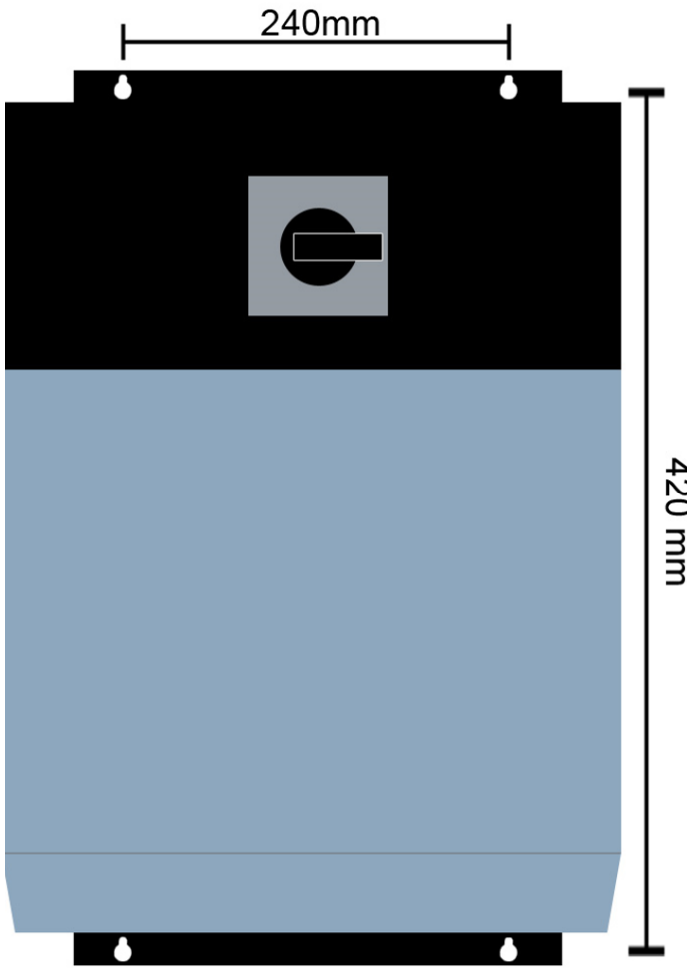


<b>Wall-mounted External Maintenance Bypass</b>	
<b>GENERAL CHARACTERISTICS</b>	<b>30K MBS</b>
<b>Nominal current</b>	63A
<b>Max voltage</b>	440VAC
<b>Frequency</b>	50 or 60 Hz
<b>Isolation voltage</b>	660 VAC
<b>CONNECTION</b>	
<b>Input</b>	Terminal (Ph-N+G)
<b>Output</b>	Terminal (Ph-N+G)
<b>Recommended wires</b>	6AWG for phase wires
	4AWG for Neutral wire
<b>PHYSICAL CHARACTERISTICS</b>	
<b>Dimensions D x W x H (mm)</b>	463x300x300
<b>Net weight (kg)</b>	10,5
<b>ENVIRONMENT</b>	
<b>Humidity</b>	0-95% relative humidity @ 0-40° non condensing
<b>NORMS</b>	
<b>Standart</b>	CE RoHS
<b>EMC (Electromagnetic compatibility)</b>	EN 55022:2006+A1:2007 / EN 55024:1998+A1:2001+A2:2003
<b>Low voltage (Safety)</b>	EN 60950-1
<b>SALES INFO</b>	
<b>Compatibility</b>	Galleon 10-30K
<b>Warranty</b>	2 years

# **DIREKTRONIK**





## Certificate No. AN 50267459

**Certificate Type:** Certificate of Conf. Low Voltage D.

**Certificate Holder:** **SHENZHEN ZIHENG TECHNOLOGY DEVELOPMENT CO., LTD.**  
12H Jinyin Ge, Jinbao City,  
Nayuan Road, Futian District,  
Shenzhen,  
China

**Certificate Number:** AN 50267459

**Order Number:** 154033935

**Certified Product:** Switch (Rotary Switch)  
Model Designation:  
ZHLW28-40 ZHLW28-63 (ZIHENG)

**Fulfilled Standards:** EN 60947-3:2009+A1  
Council Directive 2006/95/EC - Annex I

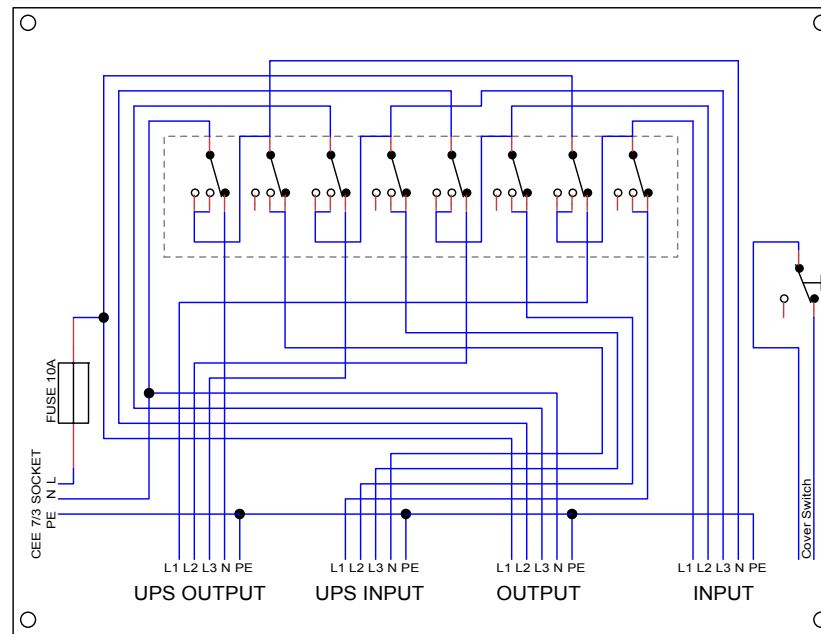
The standard(s) listed here reflect the status at the time of the release of this certificate.

**Issue Date:** November 13, 2013

### Further Information

- Request more information on SHENZHEN ZIHENG TECHNOLOGY DEVELOPMENT CO., LTD.
- All certificates / IDs of SHENZHEN ZIHENG TECHNOLOGY DEVELOPMENT CO., LTD.

STWICH TYPE: CAM SWITCH ZHLW28-63/10  
 Ui 660V Ith 63A



Title FSP MBS-3330W		
Author FSP Power Solution GmbH		
File	C:\CAD\MBS-3330W.dsn	Document
Revision 1.0	Date	Sheets 1 of 1