

Best.nr: 20100867

DC/DC Gigabit PoE Injector

SPECIFICATION

1. INPUT :

- 1.1 Input Voltage: 18Vdc to 36Vdc Normal = 24V
- 1.2 Input Current: 1.56A at 24Vdc

2. OUTPUT :

2.1 Output Voltage & Current:

| | |
|-------------|--------|
| OUTPUT | +56V |
| Max. load | 0.625A |
| Power | 35W |
| Min. Load | 0.01A |
| Load reg. % | 5% |
| Line reg. % | 1% |
| Ripple % | 1% |
| Noise % | 1% |

TOTAL POWER : 35W

Note 1: Noise bandwidth is from DC to 20Mhz. Ripple & Noise is measured by Paralleling a 0.1uF metalize capacitor on the test point.

3. EFFICIENCY : 82% min at Full Load , 18Vdc to 36Vdc Input Voltage

4. PROTECTION

4.1 Short Circuit Protection

Output Short GND Terminal will not damage the Power Supply and will Auto-Reset.

4.2 Input with Fuse Protection.

4.3 Safety Standard : meet IEC 60950-1.

4.4 EMC : meet FCC Class A, EN55032 Class A,

4.5 IEEE 802.3at compliant

4.6 Over Current : 120% ~ 160% @24Vdc Input F.L

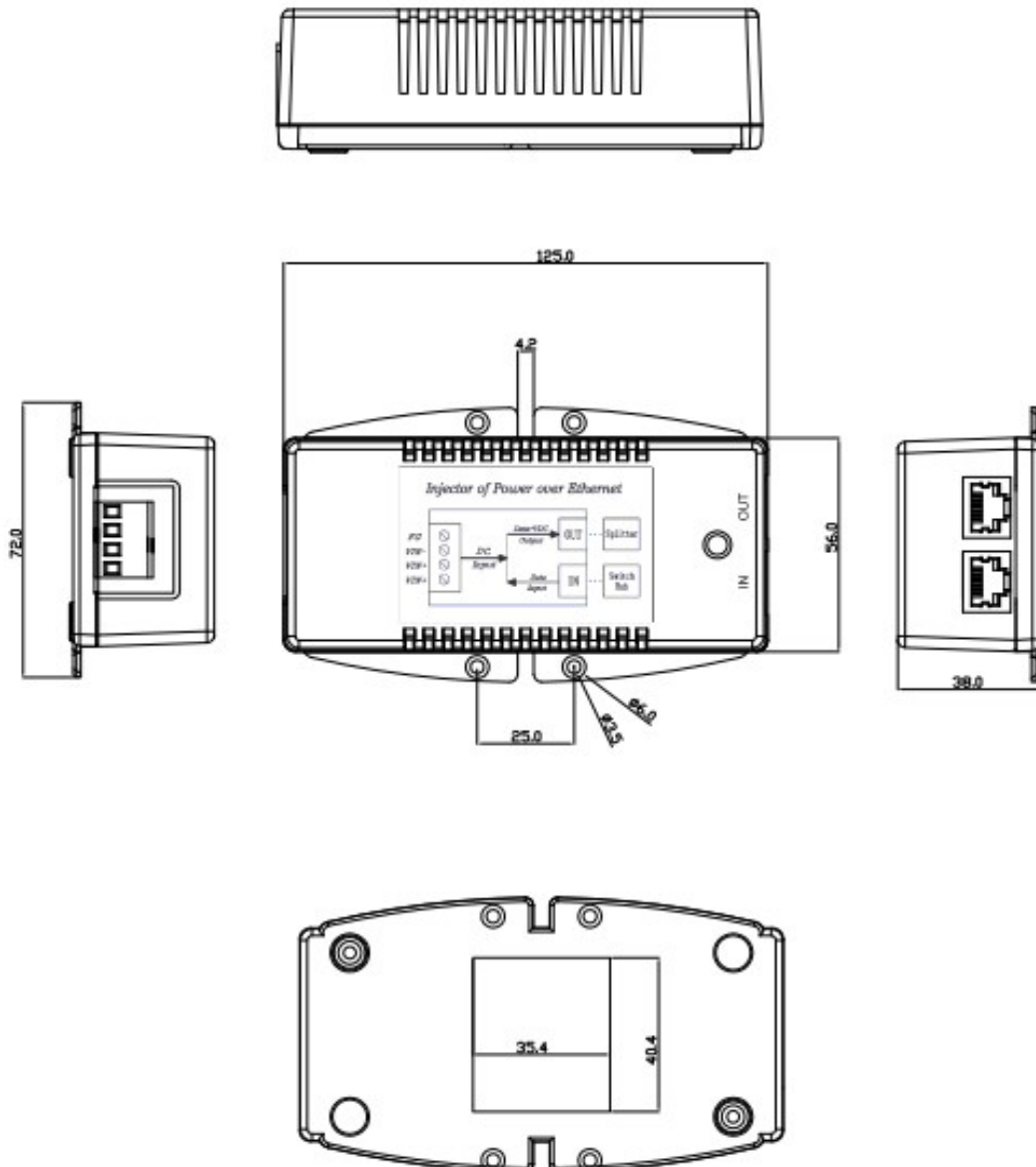
4.7 Input Polarity Reverse Protection -----NO Work

4.8 Input Over Voltage Protection : 36.8V ~ 37.5V Turn-off Input Voltage.

4.9 Input Over low Voltage Protection : 16V ~ 16.8V Turn-off Input Voltage.

5. GENERAL DESCRIPTION

- 5.1 Operation Temperature: -40 - +70 Degree
- 5.2 Storage Temperature: -40 - +85 Degree
- 5.3 Operation Humidity: 5% - 90%
- 5.4 Cooling: Free air cooling
- 5.5 SIZE : 125*72*38 (L)*(W)*(H) unit: m/m



6. Indicator :

6.1 the LED lights RED means Power Ready

6.2 the LED lights GREEN means Output 802.3af or 802.3at OK

7 CONNECTION :

RJ45 Connection and pin out: @100MBase

| RJ-45 Input (Data Only) | | | RJ-45 Output (Data & Power) | |
|-------------------------|--------|---------------|-----------------------------|------------------|
| Pin | Symbol | Description | Symbol | Description |
| 1 | RX+ | Data Receive | RX+ | Data Receive |
| 2 | RX- | Data Receive | RX- | Data Receive |
| 3 | TX+ | Data Transmit | TX+ | Data Transmit |
| 4 | NC | Not Connector | -Vdc | Feeding power(+) |
| 5 | NC | Not Connector | -Vdc | Feeding power(+) |
| 6 | TX- | Data Transmit | TX- | Data Transmit |
| 7 | NC | Not Connector | (-Vdc) return + | Feeding power(-) |
| 8 | NC | Not Connector | (-Vdc) return + | Feeding power(-) |

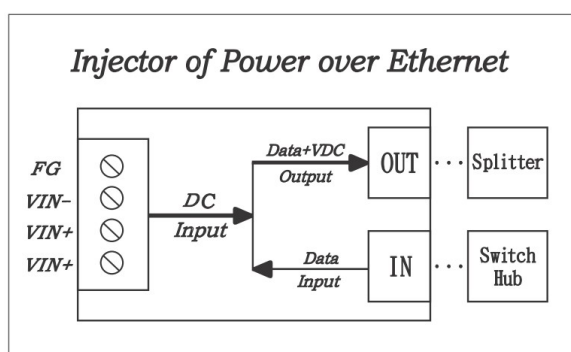
8. RJ45 Connection and pin out: @1000MBase

| RJ-45 Input (Data Only) | | | RJ-45 Output (Data & Power) | |
|-------------------------|--------|--------------|-----------------------------|-----------------------|
| Pin | Symbol | Description | Symbol | Description |
| 1 | BI DA+ | Data Pair A+ | BI DA+ | Data Pair A+ |
| 2 | BI DA- | Data Pair A- | BI DA- | Data Pair A- |
| 3 | BI DB+ | Data Pair B+ | BI DB+ | Data Pair B+ |
| 4 | BI DC+ | Data Pair C+ | +Vdc + BI DC+ | power(+)+Data Pair C+ |
| 5 | BI DC- | Data Pair C- | +Vdc + BI DC- | power(+)+Data Pair C- |
| 6 | BI DB- | Data Pair B- | BI DB- | Data Pair B- |
| 7 | BI DD+ | Data Pair D+ | -Vdc + BI DD+ | power(-)+Data Pair D+ |
| 8 | BI DD- | Data Pair D- | -Vdc + BI DD- | power(-)+Data Pair D- |

Note

1. the model is isolated design, the output +/- or input +/- can be shorted to ground (FG).

9. INPUT CONNECTION



SPEC. of SURGE/LIGHTNING PROTECTION

| | |
|-------------------------------|--|
| | Signal |
| Operating Voltage | Data 5V |
| Clamping Voltage | Data 16.5V (@I PP =5A, t p =8/20μs, I/O pin to GND) |
| Peak Pulse Current | 20A (tp=8/20μs) |
| Pin Protected | All 8 pin protected |
| Max. Shut Capacitance | <3pF (VR = 0V, f = 1MHz, I/O pin to GND) < 1.5 pF (VR = 0V, f = 1MHz, Between I/O pins) |
| IEC COMPATIBILITY (EN61000-4) | IEC61000-4-2 (ESD) ±15kV (air), ±8kV (contact) IEC61000-4-4 (EFT) 40A (5/50ns) IEC61000-4-5 (Lightning) 20A (8/20μs) |

