

Dual Port DC/DC PoE Injector

SPECIFICATION

1. INPUT :

- 1.1 Input Voltage: 10Vdc to 16Vdc Normal = 12V
- 1.2 Input Current: 4.26A at 12Vdc @ full load

2. OUTPUT :

2.1 Output Voltage & Current:

OUTPUT	+56V1 (POE1)	+56V2 (POE2)
Max. load	0.36A	0.36A
Power	20W	20W
Min. Load	0A	0A
Load reg. %	5%	5%
Line reg. %	1%	1%
Ripple %	1%	1%
Noise %	1%	1%

TOTAL POWER : 40W

Note 1: Noise bandwidth is from DC to 20Mhz. Ripple & Noise is measured by Paralleling a 0.1uF metalize capacitor on the test point.

3. EFFICIENCY : 80% min at Full Load , 10Vdc ~ 16Vdc Input Voltage

4. PROTECTION

4.1 Short Circuit Protection

Output Short GND Terminal will not damage the Power Supply and will Auto-Reset.

4.2 Input with Fuse Protection.

4.3 Safety Standard : meet UL1950, CSA 22.2 &TUV EN60950.

4.4 EMC : meet FCC Class A , EN55022 Class A

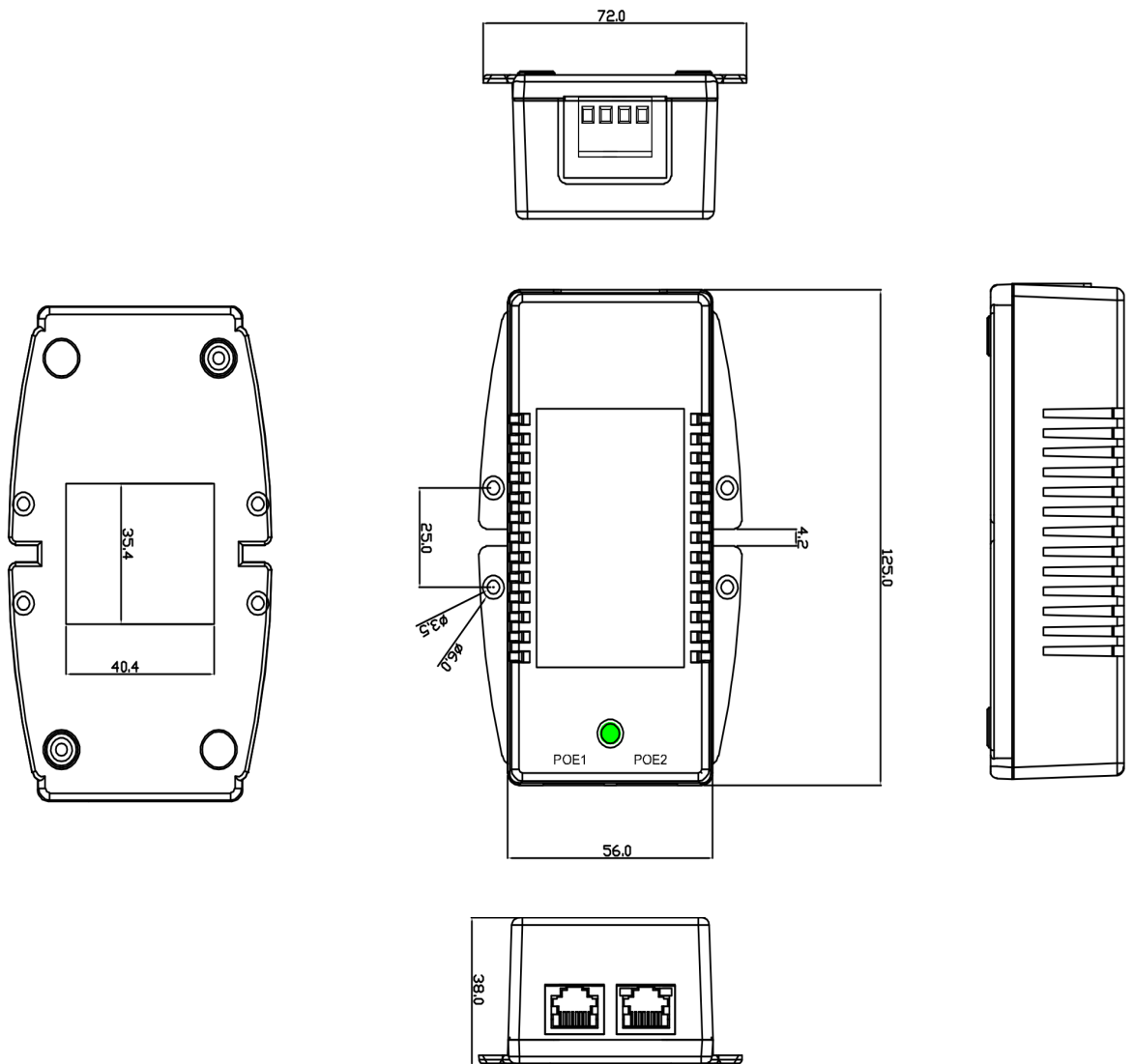
4.5 Over Current : 110% ~ 130% @12Vdc Input F.L

4.6 Input Polarity Reverse Protection -----NO Work

4.7 Input low voltage protection: 9.5V turn-off . reset point : 10V

5. GENERAL DESCRIPTION

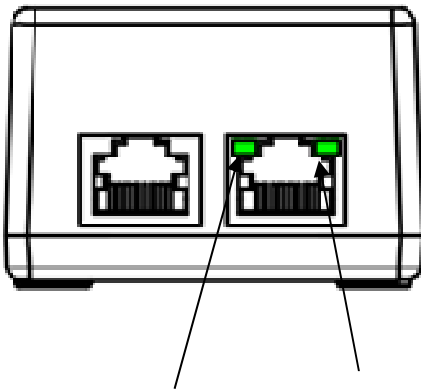
- 5.1 Operation Temperature: -40 - +70 Degree
- 5.2 Storage Temperature: -40 - +85 Degree
- 5.3 Operation Humidity: 5% - 90%
- 5.4 Cooling: Free air cooling
- 5.5 SIZE : 125*72*38 (L)*(W)*(H) unit: m/m DIN rail mountable (option)



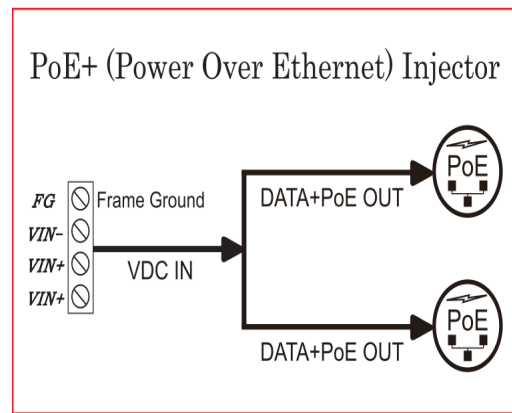
6. Indicator

6.1 the LED on top cover light GREEN when Power Ready

6.2 the LEDs on right RJ45 light GREEN when powering is OK, the left LED ON means the port 1 (POE1) powering, the right LED ON means the port 2 (POE2) powering. If no valid PD be connected, the two LEDs light off.



4,5+/7,8- 4,5+/7,8-
POE 1 POE 2



7 CONNECTION : RJ45 Connection and pin out:

RJ-45 1 (POE1)			RJ-45 2 (POE2)	
Pin	Symbol	Description	Symbol	Description
1	RX1+	Data Receive	RX1+	Data Receive
2	RX1-	Data Receive	RX1-	Data Receive
3	TX1+	Data Transmit	TX1+,	Data Transmit
4	(-Vdc)_return +	Feeding power(+)	(-Vdc)_return +	Feeding power(+)
5	(-Vdc)_return +	Feeding power(+)	(-Vdc)_return +	Feeding power(+)
6	TX1-	Data Transmit	TX1-	Data Transmit
7	-Vdc	Feeding power(-)	-Vdc	Feeding power(-)
8	-Vdc	Feeding power(-)	-Vdc	Feeding power(-)

Note : the model is isolated design, the output +/- or input +/- can be shorted to ground (FG).

SPEC. of SURGE/LIGHTNING PROTECTION (materials SPEC)

	Signal
Operating Voltage	Data 5V
Clamping Voltage	Data 16.5V (@I PP =5A, t p =8/20μs, I/O pin to GND)
Peak Pulse Current	20A (tp=8/20μs)
Pin Protected	All 8 pin protected
Max. Shut Capacitance	<3pF (VR = 0V, f = 1MHz, I/O pin to GND) < 1.5 pF (VR = 0V, f = 1MHz, Between I/O pins)
IEC COMPATIBILITY (EN61000-4)	IEC61000-4-2 (ESD) ±15kV (air), ±8kV (contact) IEC61000-4-4 (EFT) 40A (5/50ns) IEC61000-4-5 (Lightning) 20A (8/20μs)

