

SM-EDPN-8S

SINGLE HEAD 8-PORT UHD 4K@60 DP KVM SWITCH
WITH EDID (AUX) EMULATION



FIRST IN MARKET DISPLAYPORT KVM SWITCH WITH EDID (AUX) EMULATION & 4K@60 RESOLUTION

KEY FEATURES

- EDID (AUX) Emulation: Window and Monitor Configurations remain intact when switching channels .
- Supports resolutions up to 3840 x 2160 @ 60 Hz.
- Supports USB keyboard and mouse emulation.
- Supports additional USB 2.0 devices like printers, scanners, web cameras and more.
- Flash upgradeable firmware.
- Stereo Audio support.
- Front panel keys for manual port selection.
- Hot-key commands for quick port selection.
- RS-232 for serial communication.
- Independent (asynchronous) switching of KVM and peripheral USB/audio ports. Users can listen to audio from one computer while working on a different computer, or scan a document and save it on another computer.
- Supports all major Operating Systems like Windows, Mac, Linux, Sun, Unix, DOS, etc..

APPLICATIONS

- Server Collocation
- Digital Signage
- Education
- Airports
- Dealer Rooms
- Control Rooms
- Audio/Visual Presentations
- Shopping Centers
- Hotels/Resorts



Designed and Manufactured in the USA

WHY EDID (AUX) EMULATION?

- **CONSISTENT SCREEN RESOLUTIONS:**

With EDID (AUX) Emulation, your screen resolutions stay static, providing a stable visual experience.

- **PERSISTENT ICON AND WINDOW POSITIONS:**

Switch channels without the chaos. Icons and window positions remain undisturbed, ensuring a smooth transition between tasks.

- **MULTI-HEAD STABILITY:**

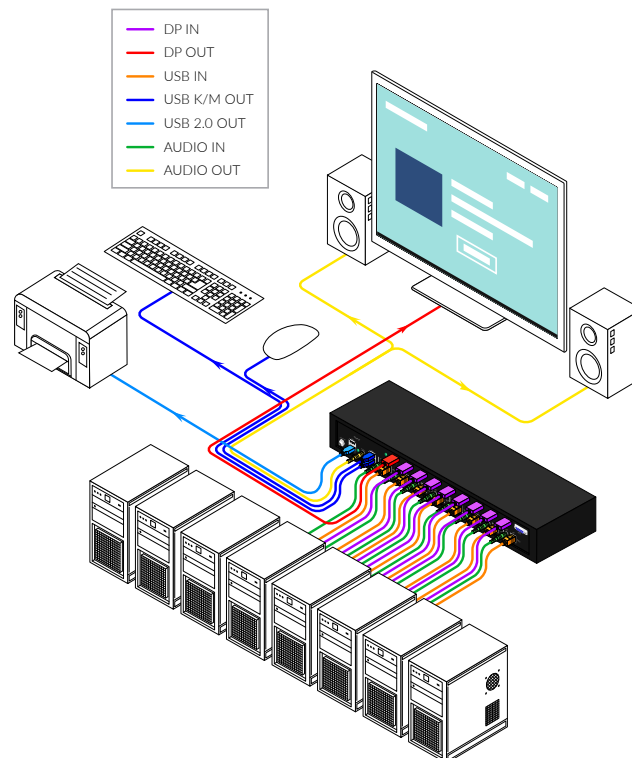
In multi-head setups, monitor positions stay intact, maintaining the organization you've carefully set up within your operating system.

Navigating DisplayPort systems has historically posed challenges due to the use of (AUX) for EDID information communication. Unlike DVI and HDMI, where emulation is straightforward, (AUX) introduces complexities. We are thrilled to introduce this groundbreaking solution to the market, offering unparalleled stability and consistency in DisplayPort systems.

OVERVIEW

Introducing the SM-EDPN-8S, a superior KVM solution for your needs. Using EDID (AUX) Emulation, your window and monitor configurations remain intact when switching channels, ensuring a smooth and uninterrupted workflow. This KVM supports UHD resolutions up to 3840 x 2160 @ 60 Hz, delivering crystal-clear visuals for your demanding tasks.

APPLICATION DIAGRAM



FLEXIBLE CONTROL

RS-232

Any external device or program supporting RS-232 can control the SM-EDPN-8S. The SM-EDPN-8S uses a very simple protocol, enabling easy integration with the RS-232 control devices.

USB/KEYBOARD

Hot keys enable the user to switch and control all the different functions of the KVM Switch

FLEXIBLE SHARING

INDEPENDENT SIMULTANEOUS DEVICE SELECTION

Flexibility is key with the SM-EDPN-8S. It enables the use of a USB keyboard and mouse on one computer while other USB peripherals such as speakers, scanners and printers are connected to other computer sources. The SM-EDPN-8S maintains the ability to switch all connected devices to any one of the computer sources as with any other KVM Switch in the market.



SM-EDPN-8S Back



SM-EDPN-8S Front

TECHNICAL SPECIFICATIONS

VIDEO	
Format	DisplayPort
Input Interface	(8) DisplayPort
Output Interface	(1) DisplayPort
Resolution	3840 x 2160 @ 60 Hz
Color Mode	24-bit
DDC	5 volts p-p (TTL)
Input Equalization	Automatic
Input Cable Length	Up to 20 ft.
Output Cable Length	Up to 20 ft.
Data Rate	1.65 Gbps per color
Console Monitors	Supports both digital and analog monitors

AUDIO	
Input Interface	(4) 3.5 mm Stereo Audio
Output Interface	(1) 3.5 mm Stereo Audio
Impedance	600 Ohm
Frequency Response	20 Hz to 20 kHz
Nominal Level	0-1.0 V
Common Mode	Rejection at 60 dB

SOFTWARE COMPATIBILITY	
Operating Systems	Operates with virtually any OS including Windows, DOS, Linux, Unix, Sun, Mac, etc.

USB	
Signal Type	USB 2.0, 1.1, and 1.0 w/ internal hub
Input Interface	(4) USB Type B
Output Interface	(2) USB 1.1 Type A for KVM Devices; (2) USB 2.0 Type A Transparent

CONTROL	
Front Panel	Push Buttons with LED Indicators
RS-232	Via Control @ 115200 bps
Hot Keys	Via Keyboard

OTHER	
Power	External 100-240 VAC/12VDC2A @ 24W
Dimensions	17.0" W x 1.76" H x 8.69" D
Weight	4.0 lbs
Approvals	UL, CE, ROHS Compliant
Operating Temperature	+32 to +104°F (0 to +40°C)
Storage Temperature	-4 to 140°F (-20 to +60°C)
Humidity	Up to 80% (No Condensation)
Emulation	Video, Keyboard and Mouse

PART NO.	DESCRIPTION
SM-EDPN-8S	Single Head 8-Port DisplayPort KVM Switch with Audio and Video Emulation. Includes: [SM-EDPN-8S, and PS12VD3A]

DIREKTRONIK

Direktronik AB tel. 08-52 400 700 www.direktronik.se