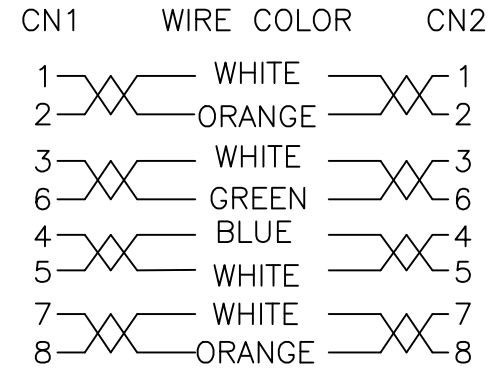


**MATERIAL LIST:**

NO.	PARTS NAME	SPECIFICATION DESCRIPTION
①	CABLE	SSTP (26AWG*1PR+A)*4+B+LSOH OD:5.8±0.2mm
②	RJ45 CONNECTOR	RJ45,8P8C,TWO FORK GOLD PLATED CONTACTS 50U WITH METAL HOUSING
③	MOLDING PVC	MOLDING PVC 45P

**PIN OUT**



**ELECTRONIC TEST:**  
A.OPEN/SHORT/INTERMITTENCE: 100%.

REMARK NO				SIGN				WT				SCALE			
DRAWN BY				CHECKED BY				AUDITED BY				CRAFT			
CHAJO				SIGNATURE				DATE				APPROVED BY			
DATE				DATE				PAGE				OF			
ITEM NO. (SECTION SHEET)															



**SSTP CAT6A 26AWG**