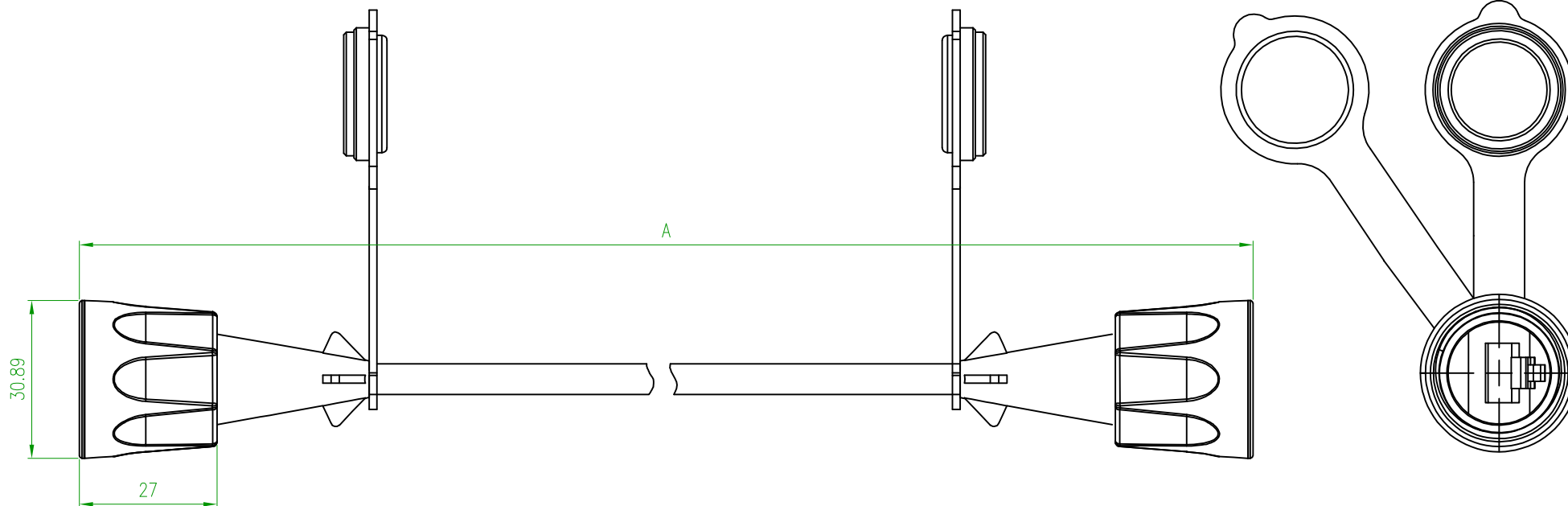


Artikel : 108-0305,108-0307,108-0309,108-0311

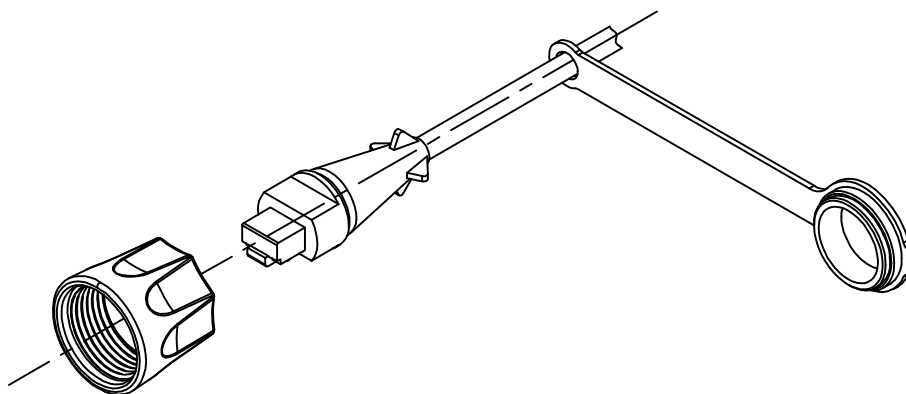


MATERIAL
 Main body: PBT & PVC
 Wire gauge: 24 AWG
 RoHS 2 compliant

PHYSICAL CHARACTERISTICS
 Operating temperature range: -10°C to 60°C
 Storage temperature range: -40°C to 68°C
 Humidity: 10%-90%RH (non-condensing)

ELECTRICAL
 Insulation resistance: 500 MΩ min.
 DC current rating: 1.5 Amps
 DC resistance (input to output): 200 m Ω max.
 Contact resistance: 20 mΩ max.
 Voltage proof (contact to contact): 1000 V DC or AC peak

IP68
 According to IEC 60529
 degrees of protection provided by enclosures
 6: Dust-tight
 8: Protected from immersion in water for 60 minutes
 at a depth of 1.5 meter



TOLERANCES:				
-20	-50	-150	150-	ANGLE
±0.2	±0.4	±0.5	±1.5	±2°
3rd Angle Projection				

1	First edition	2015.07.24
REV.	DESCRIPTION	DATE

DIREKTRONIK

Direktronik AB tel. 08-52 400 700 www.direktronik.se