

NR7401

Network Video Recorder

9-CH • PoE • Gateway Supported



VIVOTEK's NR7401 network video recorder provides an elegant recording solution for VIVOTEK network cameras and allows users to perform real-time monitoring and recording at the same time. Supporting up to 9 channels in both MPEG-4 and MJPEG formats, the NR7401 provides several recording options, including alarm recording, scheduled recording, and manual recording. As the NR7401 can automatically detect and install VIVOTEK cameras without any configuration, installation is very simple. In addition, the NR7401 offers a user-friendly interface where users can configure network settings as well as control camera movement.

The integrated 802.3af compliant PoE (Power-over-Ethernet) function reduces cabling problems, making NR7401 a cost-effective recording system. With a large-volume hard disk drive, users can record high-definition video streams from megapixel cameras for long periods without worrying about running out of storage capacity. The NR7401 also features a built-in gateway that separates network cameras from the regular data network so that the influence of video recording on bandwidth is minimized.

The NR7401 also comes with four digital inputs and one digital output interfaces to allow for connections with external sensors and alarms. In addition, the NR7401 can be connected with external USB storage devices for video backup.

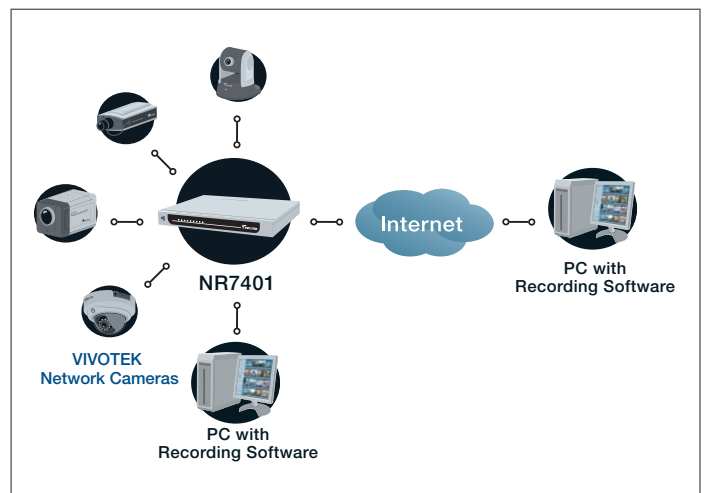
Features

- > Simultaneous Monitoring and Recording on 9 channels
- > Gateway Between VIVOTEK Network Cameras and Data Network
- > Supports VIVOTEK 6000- and 7000-series Network Cameras
- > Built-in 802.3af Compliant PoE
- > Local Video Recording with Minimal Bandwidth Impact
- > Camera Management with Automatic Camera Installation and Configuration
- > Video Proxy Server for Live and Recorded Video
- > External USB Storage for Video Backup

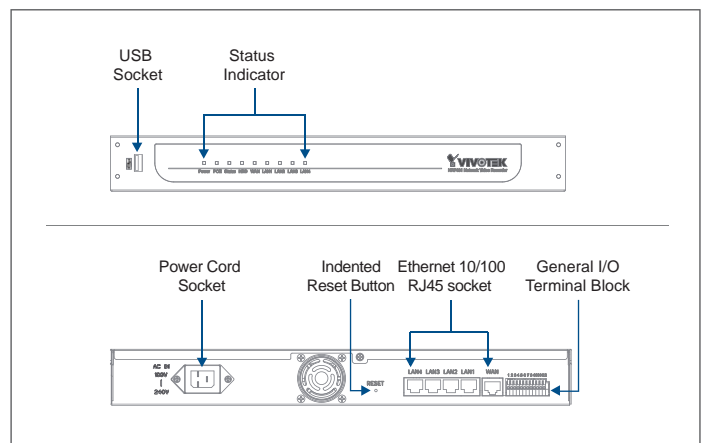
System	<ul style="list-style-type: none"> · CPU: Intel IXP425ABD · Flash: 16MB · RAM: 128MB · Embedded OS: Linux
Video Channels	<ul style="list-style-type: none"> · Supports up to 9 channels
Hard Disk	<ul style="list-style-type: none"> · Supports SATA hard disk up to 1TB
Compatibility	<ul style="list-style-type: none"> · Supports VIVOTEK 6000- and 7000-series network cameras
Video Recording	<ul style="list-style-type: none"> · MJPEG and MPEG-4
Recording Throughput	<ul style="list-style-type: none"> · Total 12Mbps
Recording Policy	<ul style="list-style-type: none"> · Alarm recording · Scheduled recording · Manual recording
Connectors	<ul style="list-style-type: none"> · 5 x Ethernet 10/100 BaseT, RJ45 (1 WAN and 4 LAN ports) · USB socket for backup · Terminal block: 4 digital input, 1 relay output, and 1 poweroutput with 12V max. 1A
Camera Management	<ul style="list-style-type: none"> · Auto or manual installation for VIVOTEK cameras · Video and network configuration through NR7401
Pan/Tilt/Zoom Control	<ul style="list-style-type: none"> · Pan/tilt/zoom control of VIVOTEK cameras
History Playback	<ul style="list-style-type: none"> · Playback of recorded media with time navigations
Networking	<ul style="list-style-type: none"> · Protocols: IPv4, TCP/IP, HTTP, RTSP/ RTP/RTCP, IGMP,SMTP, FTP, DHCP, NTP, DNS, DDNS
Alarm and Event Management	<ul style="list-style-type: none"> · Four D/I and one D/O for external sensor and alarm · Event notification using SMTP
Security	<ul style="list-style-type: none"> · Multi-level user access with password protection · IP address filtering
Users	<ul style="list-style-type: none"> · Live and playback viewing for up to 10 clients
Dimension	<ul style="list-style-type: none"> · 360 mm (W) x 280 mm (D) x 43.8 mm (H)
Weight	<ul style="list-style-type: none"> · Net: 3,100 g (without HDD)
LED indicator	<ul style="list-style-type: none"> · System power, PoE ,status and hard disk indicators · Network link indicators

Power	<ul style="list-style-type: none"> · 100 ~ 240V AC · Consumption Max. 21 W without PoE camera Max. 35 W with 4 PoE cameras · 802.3af compliant Power-over-Ethernet
Approvals	<ul style="list-style-type: none"> · CE, FCC, C-Tick, VCCI, UL, CB
Operating Environments	<ul style="list-style-type: none"> · Temperature: 0 ~ 50 °C (32 ~ 122 °F) · Humidity: 20% ~ 80% RH
Viewing System Requirements	<ul style="list-style-type: none"> · OS: Microsoft Windows 2000/XP/Vista · Browser: Internet Explorer 6.x or above
Installation, Management, and Maintenance	<ul style="list-style-type: none"> · Installation Wizard 2 · Supports firmware upgrade
Warranty	<ul style="list-style-type: none"> · 24 months

System Overview



External View



All specifications are subject to change without notice. Copyright©2009 VIVOTEK INC. All rights reserved.

Distributed by:

DIREKTRONIK

Direktronik AB tel. 08-52 400 700 www.direktronik.se

