



IP7130

Fixed Network Camera

Tamper Detection • Dual Streams • PoE

VIVOTEK's IP7130 fixed network camera is an economical and easy-to-use surveillance system designed for indoor applications such as offices, banks, and retail stores.

This camera comes with the tamper detection feature, which detects data loss from camera tampering in real-time. When the camera is blocked, redirected, or spray-painted, security staff will be alerted immediately in accordance with the camera settings. With its dual-stream feature, the IP7130 also allows two video streams to be delivered in a different resolutions, frame rates, and image qualities for individual recording or bandwidth demands. Images can be displayed in VGA format for real-time monitoring while displayed on a 3GPP mobile phone in lower resolution, giving users a higher level of flexibility for dealing with camera images on different platforms. The integrated 802.3af compliant PoE function reduces cabling clutter, making IP7130 a cost-effective surveillance system.

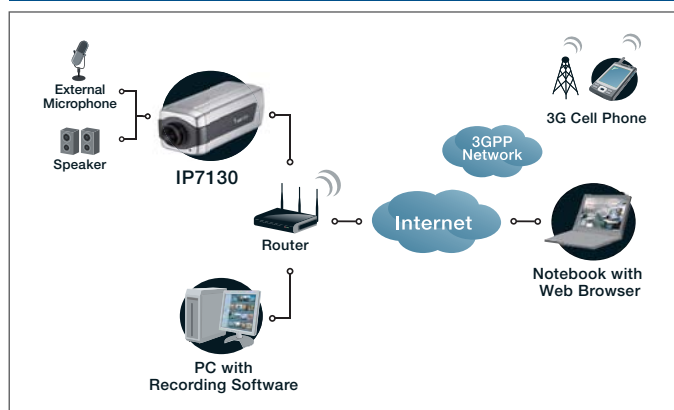
With other advanced features such as two-way audio via SIP protocol, digital I/O, HTTPS encryption, and the included 32-CH central management software, IP7130 is the camera of choice for customers requiring value in their investment.

Features

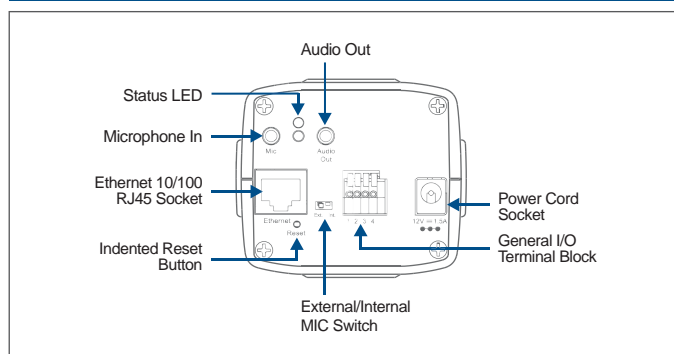
- > 1/4" CMOS Sensor in VGA Resolution
- > Real-time MPEG-4 and MJPEG Compression (Dual Codec)
- > Dual Streams Simultaneously
- > Detects Tampering from Blockage, Redirection or Spray-painting
- > 3GPP Mobile Surveillance
- > Built-in 802.3af Compliant PoE
- > Two-way Audio via SIP Protocol
- > Digital I/O for External Sensor and Alarm
- > HTTPS Encrypted Data Transmission
- > Includes Free Standard 32-CH ST7501 Central Management Software

System	<ul style="list-style-type: none"> CPU: Mozart 120 SoC Flash: 8MB RAM: 64MB + 64MB Embedded OS: Linux 2.6 	Viewing System Requirements	<ul style="list-style-type: none"> OS: Microsoft Windows 2000/XP/Vista Browser: Mozilla Firefox, Internet Explorer 6.x or above Cell phone: 3GPP player Real Player: 10.5 or above Quick Time: 6.5 or above
Lens	<ul style="list-style-type: none"> CS-mount, f = 4.0 mm, F1.6, Fixed 	Installation, Management, and Maintenance	<ul style="list-style-type: none"> Installation Wizard 2 32-CH ST7501 central management software Supports firmware upgrade
Angle of View	<ul style="list-style-type: none"> 71° (horizontal) 	Applications	<ul style="list-style-type: none"> SDK available for application development and system integration
Shutter Time	<ul style="list-style-type: none"> 1/5 sec. to 1/15,000 sec. 	Warranty	<ul style="list-style-type: none"> 12 months
Image Sensor	<ul style="list-style-type: none"> 1/4" CMOS sensor in VGA resolution 		
Minimum Illumination	<ul style="list-style-type: none"> 0.1 Lux / F1.6 		
Video	<ul style="list-style-type: none"> Compression: MJPEG & MPEG-4 Streaming: <ul style="list-style-type: none"> Simultaneous dual streams MPEG-4 streaming over UDP, TCP, HTTP or HTTPS MPEG-4 multicast streaming MJPEG streaming over HTTP or HTTPS Supports 3GPP mobile surveillance Frame rates: <ul style="list-style-type: none"> MPEG-4: Up to 30/25 fps at 640x480 MJPEG: Up to 30/25 fps at 640x480 		
Image Settings	<ul style="list-style-type: none"> Adjustable image size, quality and bit rate Time stamp and text caption overlay Flip & mirror Configurable brightness, contrast, saturation, sharpness, white balance and exposure AGC, AWB, AES BLC (Backlight Compensation) Supports privacy masks 		
Audio	<ul style="list-style-type: none"> Compression: <ul style="list-style-type: none"> GSM-AMR speech encoding, bit rate: 4.75 kbps to 12.2 kbps MPEG-4 AAC audio encoding, bit rate: 16 kbps to 128 kbps Interface: <ul style="list-style-type: none"> Built-in microphone External microphone input Audio output External/Internal microphone switch Supports two-way audio via SIP protocol Supports audio mute 		
Networking	<ul style="list-style-type: none"> 10/100 Mbps Ethernet, RJ-45 Protocols: IPv4, IPv6, TCP/IP, HTTP, HTTPS, UPnP, RTSP/RTP/RTCP, IGMP, SMTP, FTP, DHCP, NTP, DNS, DDNS and PPPoE 		
Alarm and Event Management	<ul style="list-style-type: none"> Triple-window video motion detection Tamper detection One D/I and one D/O for external sensor and alarm Event notification using HTTP, SMTP or FTP Local recording of MP4 file 		
Security	<ul style="list-style-type: none"> Multi-level user access with password protection IP address filtering HTTPS encrypted data transmission 		
Users	<ul style="list-style-type: none"> Live viewing for up to 10 clients 		
Dimension	<ul style="list-style-type: none"> 154 mm (D) x 72 mm (W) x 62 mm (H) 		
Weight	<ul style="list-style-type: none"> 623 g 		
LED Indicator	<ul style="list-style-type: none"> System power and status indicator System activity and network link indicator 		
Power	<ul style="list-style-type: none"> 12V DC Power consumption: Max. 6 W 802.3af compliant Power-over-Ethernet 		
Approvals	<ul style="list-style-type: none"> CE, LVD, FCC, VCCI, C-Tick 		
Operating Environments	<ul style="list-style-type: none"> Temperature: 0 ~ 50 °C (32 ~ 122 °F) Humidity: 90% RH 		

System Overview



External View



All specifications are subject to change without notice. Copyright ©2009 VIVOTEK INC. All rights reserved.

Distributed by:

DIREKTRONIK

Direktronik AB tel. 08-52 400 700 www.direktronik.se

