

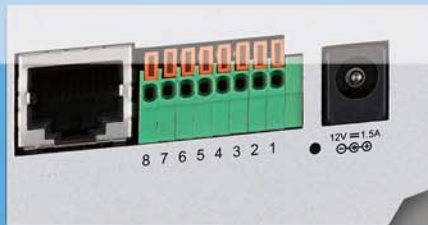
Intelligent Video Network Camera



VIVOTEK unveils its first intelligent network camera IP7251 in the line of progress-scan series which incorporates embedded video content analysis. The intelligent detection effectively raises the sensitivity of this network camera and makes your monitoring tasks easier with correct information.

Incorporating a powerful digital signal processor (DSP) dedicated to the video content analysis, it features three reliable and helpful detections including tampering detection, moving object detection, and loitering detection. With the tampering detection, it is capable of detecting incidents such as shooting redirection, blocking or defocusing of cameras, or even spray-painted. For motion detection function, it is capable of distinguishing between creature's motions and still backgrounds or natural movements like swaying trees, waves or sunset so as to prevent the false alarms from environmental noise. Additionally, a suspicious object in the predefined area (window) will trigger alarms once the dwelling time of the object is longer than the given time. By embedding the video content analysis into the network camera rather instead of back-end software platform, IP7251 greatly reduces the server workload, network bandwidth, and storage requirement.

IP7251 is achieved with a powerful combination of cutting-edge features: a Sony progressive scan CCD sensor, a removable IR-cut filter, simultaneous dual streams, PoE compliant with 802.3af, 3GPP mobile surveillance, two-way audio by SIP protocol, and digital I/O. With the intelligent detection function, VIVOTEK IP7251 can effectively prevents unwanted noise components from accidentally triggering an alarm, providing a more reliable detection method, thus reducing the number of false alarms.

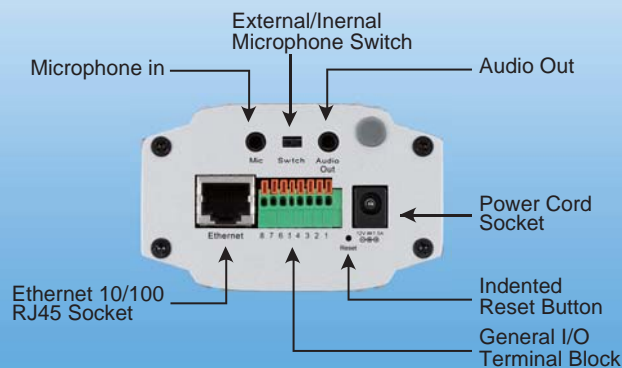


IP7251

Features

- Embedded Video Content Analysis
- Progressive Scan CCD Sensor with VGA Resolution
- 2.9~8.2mm Vari-focal, Auto-iris Lens
- Removable IR-cut Filter for Day & Night Function
- Real-time MPEG-4 and MJPEG Compression (Dual Codec)
- Supports Simultaneous Dual Streams
- Built-in 802.3af Compliant Power over Ethernet (PoE)
- Supports Two-way Audio by SIP Protocol
- Digital I/O for External Sensor and Alarm
- Supports RS-485 for PTZ control
- Free-bundled 16-CH Recording software

Rear View



Technical Specifications

System and Hardware	<ul style="list-style-type: none"> • CPU: VVTK-1000 SoC • Flash: 8MB • RAM: 64MB • DSP: TI DM642 • Embedded OS: Linux 2.4 	Networking	<ul style="list-style-type: none"> • 10/100 Mbps Ethernet, RJ-45 • Protocols: IPv4, TCP/IP, HTTP, HTTPS, UPnP, RTSP/RTP/RTCP, IGMP, SMTP, FTP, DHCP, NTP, DNS, DDNS, and PPPoE
Lens	<ul style="list-style-type: none"> • CS-mount, f=2.9mm~8.2mm vari-focal, auto-iris • IR Corrected • Embedded removable IR-cut filter for day & night function 	Alarm and Event Management	<ul style="list-style-type: none"> • Triple-window video motion detection • One D/I and one D/O for external sensor and alarm • Event notification using HTTP, SMTP, or FTP • Local recording of MP4 file
Angle of view	<ul style="list-style-type: none"> • 26.7° ~ 69° (horizontal) • 20° ~ 51° (vertical) 	Security	<ul style="list-style-type: none"> • Multi-level user access with password protection • IP address filtering
Shutter Time	<ul style="list-style-type: none"> • 1/30 sec. to 1/15000 sec. 	Users	<ul style="list-style-type: none"> • Camera live viewing for up to 10 clients
Image Sensor	<ul style="list-style-type: none"> • 1/4", Progressive scan CCD sensor with VGA resolution 	Dimension (including lens)	<ul style="list-style-type: none"> • 205.5mm (D) x 82.1mm (W) x 51.2mm (H)
Minimum Illumination	<ul style="list-style-type: none"> • 1.0 Lux /F1.0 	Weight (including lens)	<ul style="list-style-type: none"> • Net:581g
Video Content Analysis	<ul style="list-style-type: none"> • Camera tampering detection • Intelligent moving object detection • Moving object loitering detection 	LED Indicator	<ul style="list-style-type: none"> • System power and status indicator • System activity and network link indicator
Video	<ul style="list-style-type: none"> • Compression: MJPEG & MPEG-4 • Streaming: Simultaneous dual-streaming • MPEG-4 streaming over UDP, TCP, or HTTP • MPEG-4 multicast streaming • MJPEG streaming over HTTP • Supports 3GPP mobile surveillance • Frame rates: 640x480 up to 30fps 	Power	<ul style="list-style-type: none"> • 12V DC, 24V AC • 802.3af compliant power over Ethernet
Image settings	<ul style="list-style-type: none"> • Adjustable image size, quality, and bit rate • Time stamp and text caption overlay • Flip & mirror • Configurable brightness, contrast, and saturation • AGC, AWB, AES • Automatic or manual day/night mode • Backlight compensation (BLC) • Supports privacy masks 	Approvals	<ul style="list-style-type: none"> • CE, FCC, C-Tick, LVD, VCCI
Audio	<ul style="list-style-type: none"> • Compression: GSM-AMR speech encoding, bit rate: 4.75 kbps to 12.2 kbps • MPEG-4 AAC audio encoding, bit rate: 16 Kbps to 128 Kbps • Interface: Built-in microphone • External microphone input • Audio output • Supports two-way audio by SIP protocol • Supports audio mute 	Operating Environments	<ul style="list-style-type: none"> • Temperature: 0° ~ 50° C (32° ~ 122° F) • Humidity: 20 % ~ 80 % RH
		Viewing System Requirements	<ul style="list-style-type: none"> • OS: Microsoft Windows 2000/XP/Vista • Browser: Internet Explorer 6.x or above • Cell phone: 3GPP player • Real Player 10.5 or above • Quick Time 6.5 or above
		Installation, Management, and Maintenance	<ul style="list-style-type: none"> • Installation Wizard 2 • 16-CH recording software • Supports firmware upgrade
		Applications	<ul style="list-style-type: none"> • SDK available for application development and system integration



All specifications are subject to change without notice.
All other trademarks are owned by their respective companies.

DIREKTRONIK

Direktronik AB tel. 08-52 400 700 www.direktronik.se