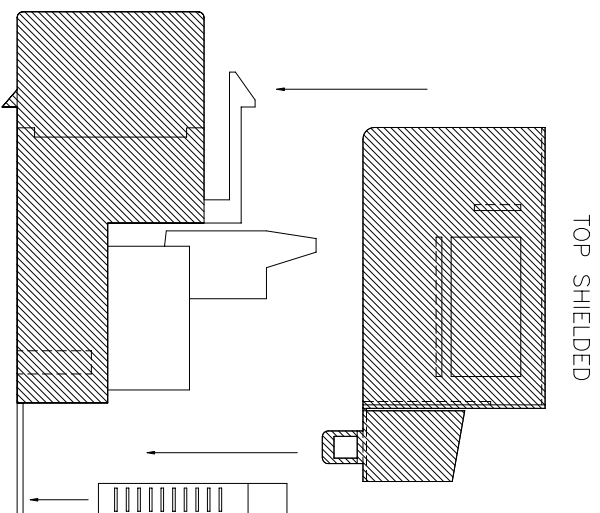
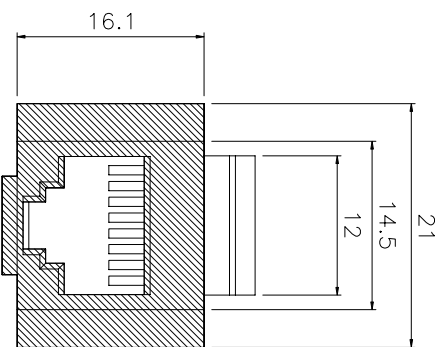
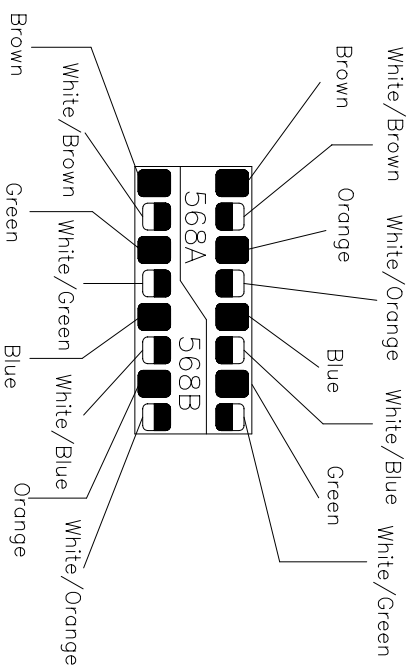
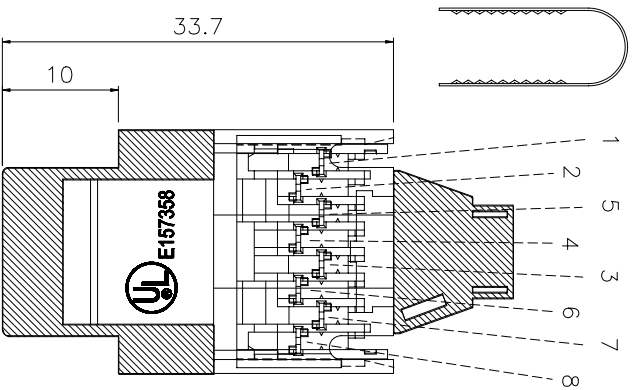


PIN ASSIGNMENT



BOTTOM SHIELDED

FULL SHIELDED

**SPECIFICATION**

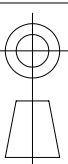
**MECHANICAL:**

- Housing Material : ABS UL 94V-0 rated.
- Insert Material : ABS UL 94V-0 rated.
- Insert Cover Material : ABS UL 94V-0 rated.
- IDC Holder Material : Glass-filled 15% PBT UL 94V-0 rated.
- IDC Holder Cover Material : Polycarbonate UL 94V-2.
- Material Contact : Phosphor Bronze.  
Finished : 50 micro-inch minimum gold over nickel 40 micro-inch minimum.
- Housing Color : Black.
- Operation Temperature : -40°C to 80°C.
- Insertion Force : 900gms for 8 contacts.
- Retention Strength : 7.7 kgs between Keystone-jack and plug.
- Durability : 500 Cycles meets contact resistance test—  
— check every 100 cycles.  
Mating and unmating cycles at 20 cycles/minute max.
- Cable Bracket: Bronze and Tin plated.
- P.C.B: FR4 1.6 m/m thickness, 2 layer.
- Shielded: Bronze and Nickel plated.

**ELECTRICAL:**

- Current Rating : 1.5 amp max.
- Voltage Rating : 150 volts AC max.
- Dielectric Withstanding Voltage : 1000 VAC, RMS, 60HZ, 1min.
- Contact Resistance : 20 milliohms maximum, initial.
- Insulation Resistance : 500 megohms min.

NOTE TOL: ± 0.1 m/m



DSGN JOHNSON 07.DEC.2001

ITEM NO: KJ2-CE-FS

UNIT M / M

CHK

Full Shielded Keystone Jack

SCALE 3/2

DWG NO: KJ2CERS

**JYH ENG IND CO., LTD**