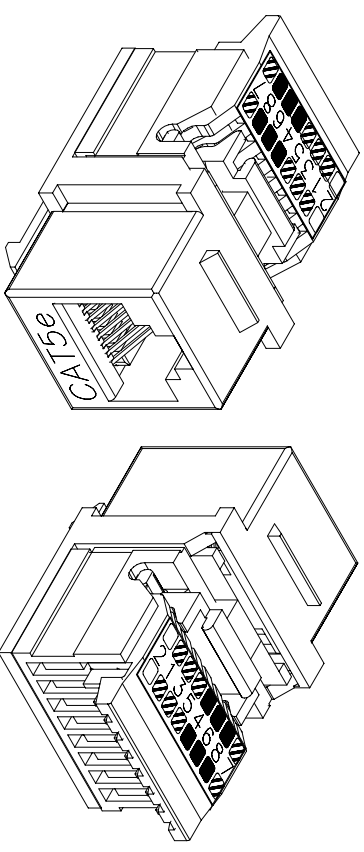


T568A WIRING		T568B WIRING	
Pin 1	White/Green	Pin 1	White/Orange
Pin 2	Green	Pin 2	Orange
Pin 3	White/Blue	Pin 3	White/Green
Pin 4	Blue	Pin 4	Blue
Pin 5	White/Orange	Pin 5	White/Blue
Pin 6	Orange	Pin 6	Green
Pin 7	White/Brown	Pin 7	White/Brown
Pin 8	Brown	Pin 8	Brown



### SPECIFICATION

#### MECHANICAL:

- Housing: ABS & PC mixed, UL94-V0, Optional color.  
Keylock: ABS, UL94-V0, White color.  
Cover: PC, UL94-V0.
- IDC terminal: Phosphor Bronze. Nickel 50-60 micro-inch Plated.  
Contact Finished: 50 micro-inch gold plated over Nickel plated.
- Sticker: T568A & T568B wiring identification.

### REMARK : KJ7-CE-US/xx N

- ① xx : Color code (Optional)
- ② N : None Cable holder

NOTE: TOL±0.1M/M

		<b>DSGN</b> CALVIN		<b>18.MAY.2000</b>		<b>ITEM NO:</b>	
<b>UNIT</b> M/M		<b>CHK</b>		<b>APPR</b>		<b>KJ7-CE-US/xxN</b>	
<b>SCALE</b> 2/1		<b>DWG NO:</b> KJ7CEUSIN				<b>Cat.5 Enhanced Keystone Jack, None PCB</b>	

**JYH ENG IND CO., LTD**