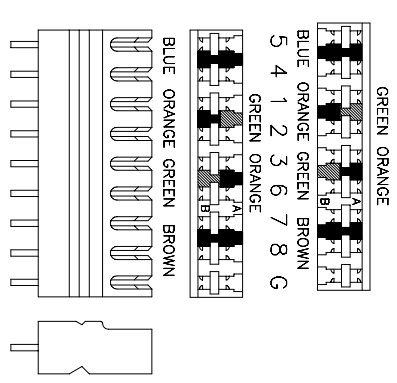


KIDC CONNECTOR



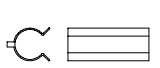
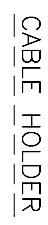
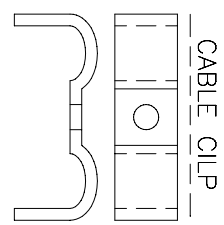
Color Coding Information

T568A		T568B	
Pin5	WHITE/BLUE	Pin5	WHITE/BLUE
Pin4	BLUE	Pin4	BLUE
Pin1	WHITE/GREEN	Pin1	WHITE/ORANGE
Pin2	GREEN	Pin2	ORANGE
Pin3	WHITE/ORANGE	Pin3	WHITE/GREEN
Pin6	ORANGE	Pin6	GREEN
Pin7	WHITE/BROWN	Pin7	WHITE/BROWN
Pin8	BROWN	Pin8	BROWN

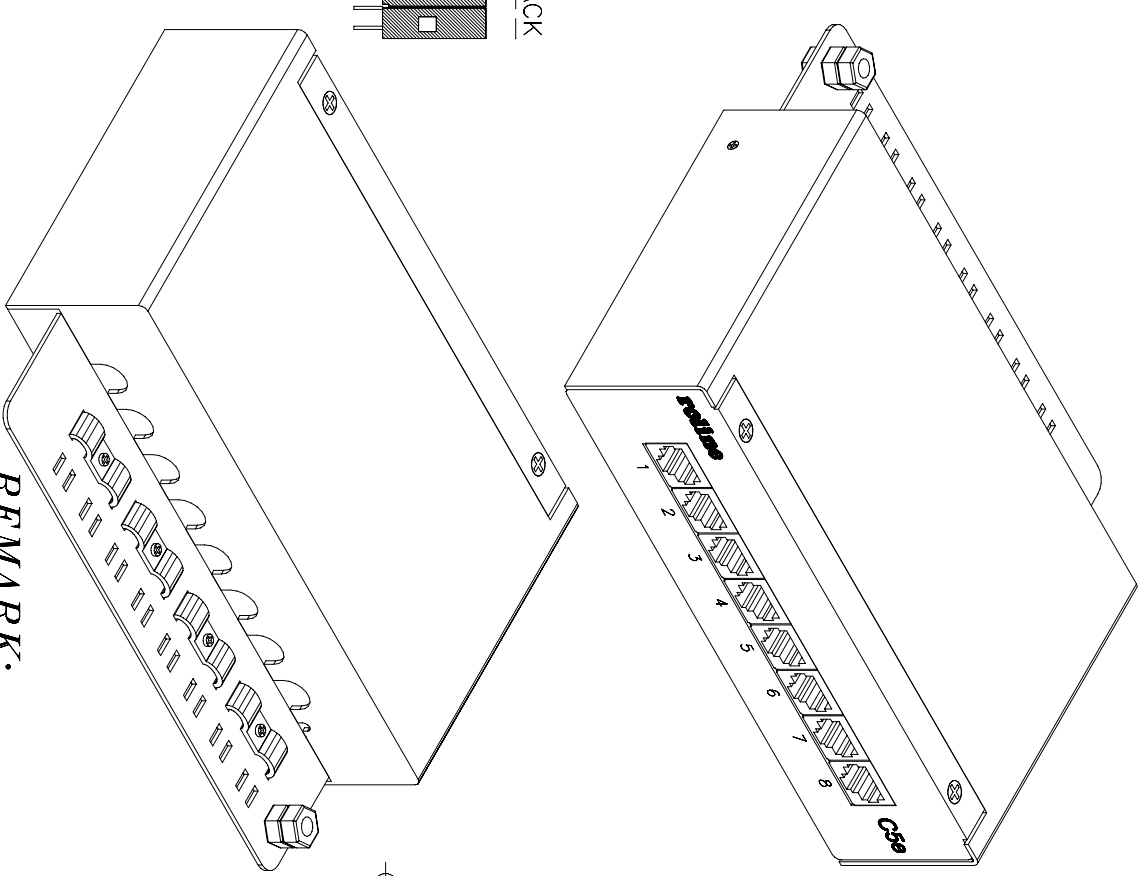
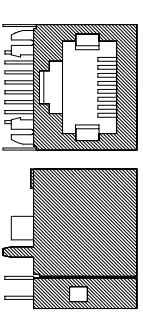
SPECIFICATION MATERIALS :

- Upper & Button Case : 1.2 m/m metal.
- KIDC Connector :
Housing : UL Plastic.
Contact Pin : Phosphor bronze with tin plate.
Printing : T568A & T568B Wiring.
- RJ45 Jack :
Housing : UL PBT.
Contact Pin : Phosphor bronze with 50u" gold plating , Flat pin.
Shielded : Phosphor bronze with tin plate.

- Cable Holder : Phosphor bronze with tin plate.
- Cable Clip : Phosphor bronze with tin plate.
- Shield Ground Screw : 6m/m metal screw & nut.
- P.C.B : 1.6m/m , double side , FR4.



FULL SHIELDED JACK



REMARK:

SM8FS K1-C XX
① Color : Ivory or Black.

NOTE: TOL ±0.1m/m

UNIT	M/M	DSGN	JACKY	05FEB99	ITEM NO:	SM8FS K1-C XX
SCALE	1/2	CHK			APPR	8 Port Surface Mount Box, Full Shielded
DWG NO:	SM8FS	KIDC				

JYH ENG IND CO., LTD