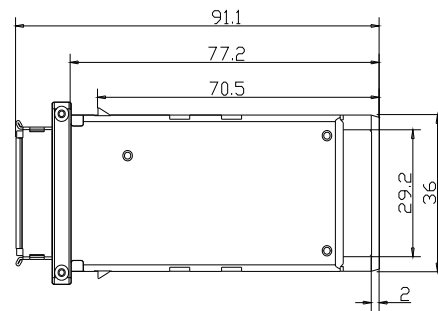
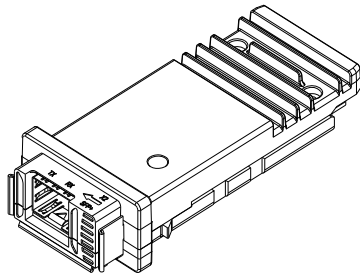
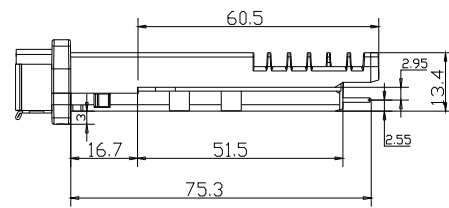
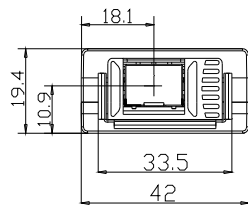

10G X2 TO SFP+ Converter Module

General Information	
Manufacturer Part Number	
Product Model	33-1898
Product Name	X2-SFP+ Converter Module
Product Type	Transceiver
Features	<ul style="list-style-type: none">● XAUI Electrical Interface: 4 Lanes @ 3.125Gbit/s● Hot Pluggable● MDIO, DOM Support● Compliant to X2 MSA● Case operating temperature: 0 to 70 °C● The XG-X2-SFP+ Converter Module converts a 10 Gigabit Ethernet X2 port into a 10 Gigabit Ethernet SFP+ port. With the Converter Module, customers have the flexibility to use the 10 Gigabit X2 interface port of a switch with X2 modules or SFP+ modules.
I/O Expansions	
Number of Expansion Slots	1
Expansion Slots	(1 Total) SFP+
Network & Communication	
Network Technology	10GBase-X
Physical Characteristics	
Form Factor	Internal
Dimensions	19.4mmHeight x 42 Width x 91.1 Depth





Appendix A. Document Revision

Version No.	Date	Description
1.0	2010-09-01	Preliminary datasheet
2.0	2011-09-10	Update format and company's logo