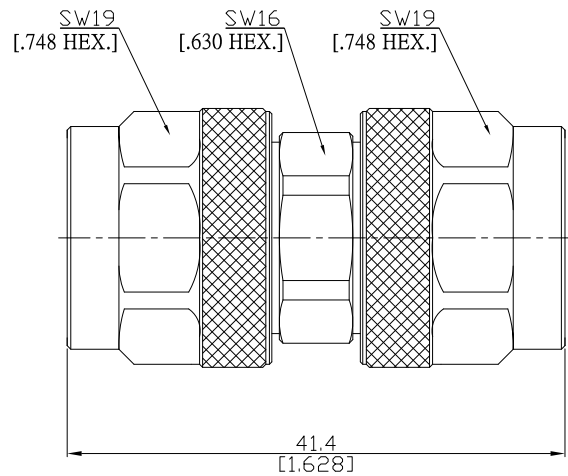


Adaptor plug/plug
N plug (male) / N plug (male)



All dimensions are in mm [inch]

Tolerances according to DIN ISO 2768-mH

Interface

According to MIL-C-39012; MIL-STD-348A/304

Electrical Data

Impedance 50 Ω
 Frequency DC to 11 GHz
 VSWR (Return Loss) ≤ 1.15 (≥ 23.12 dB)
 Insertion Loss $\leq 0.05 \times \sqrt{F}$ (GHz) dB

Mechanical Data

Coupling mechanisms Screw-lock
 Weight 0.0569 kg

Environmental Data

Temperature range -65°C to $+165^{\circ}\text{C}$
 RoHS compliant

Material And Plating

| Piece Parts (N) | Material | Plating |
|-----------------|-----------------|----------------------------------|
| Centre contact | Brass | Gold plating(Nickel underplated) |
| Body | Brass | Copper-Tin-Zinc Alloy |
| Insulator | PTFE | |
| Gasket | Silicone Rubber | |
| Coupling nut | Brass | Copper-Tin-Zinc Alloy |
| Piece Parts (N) | Material | Plating |
| Centre contact | Brass | Gold plating(Nickel underplated) |
| Body | Brass | Copper-Tin-Zinc Alloy |
| Insulator | PTFE | |
| Gasket | Silicone Rubber | |
| Coupling nut | Brass | Copper-Tin-Zinc Alloy |

Packing

Single or 100